

DEKO 2 DUE C 1

DEKO 2 DUE CB 1

DEKO 2 DUE S 1

DEKO 2 DUE SB 1

PRODUCT INFORMATION:

Nominal heat output: 8,5 kW

Energy efficiency: 86,5 %

CO%: 0,065 %

PRODUCT NUMBERS:

Product	Product number	Weight kg	Height mm
DEKO 2 DUE C 1	708220-1	527	1346
DEKO 2 DUE CB 1	708260-1	526	1346
DEKO 2 DUE S 1	708230-1	523	1346
DEKO 2 DUE SB 1	708270-1	524	1346

ACCESSORIES:

Product	Product number	Weight kg	Height mm
Bottom plinth DEKO 2 DUE C1/CB 1	MO1937	31	48
Bottom plinth DEKO 2 DUE S 1 /SB 1	MO1933	30	48
Flue knee D=150 mm	920531		
Flue pipe D=146, L=200 mm	920530		
Flue pipe D=150, L=250 mm	920023		

Product pictures are with bottom plinth.

PRODUCT INFORMATION

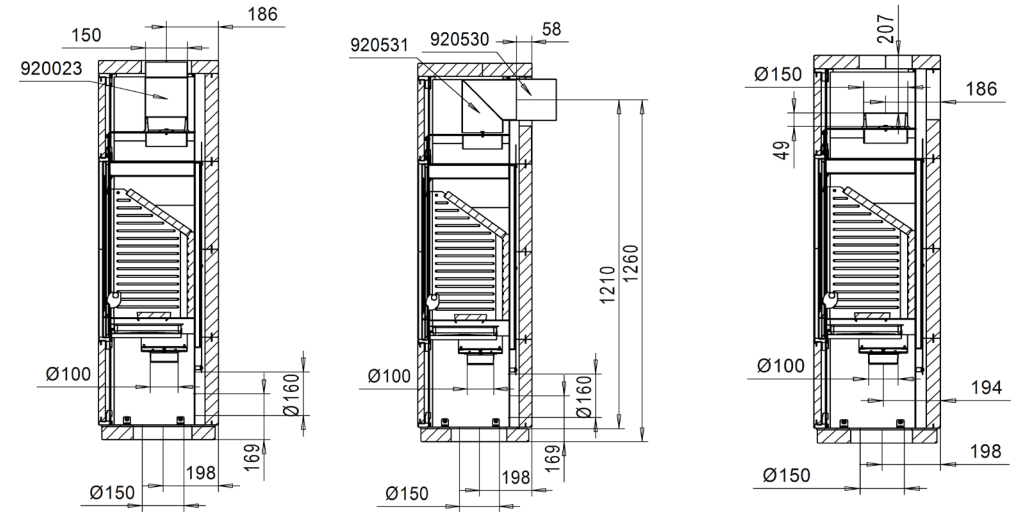
	FIREWOOD		FLUE CALCULATION VALUES ⁽¹⁾			
	Length [cm]	Max amount of wood [kg/h]	Flue gas temperature [°C]	Min. flue draught [Pa]	Mass flow [g/s]	Flue connection Ø (min.)
Deko 2 Due C / CB / S / SB	25	2,33	182	-12	9,2	150

FLUE CONNECTION TABLE

	RECOMMENDED FLUE [mm]	INCOMING AIR
	round Ø	Incoming air pipe location L [mm]
Deko 2 Due C / CB / S / SB	150	198

SAFETY DISTANCES TO COMBUSTIBLE MATERIALS

	CE-approval according to EN 13240			
	Behind	On the sides	Front	Top
Deko 2 Due C / CB / S / SB	60	150	800	800



¹⁾ The flue calculation values apply for countries that require flue calculation in accordance with the DIN 18160 and DIN EN 13384 standards.

NOTES!

The recommended minimum flue height is 5 m. In countries where the flue calculation is required, should the calculation be done according to the instructions and regulations of the flue calculation.

A damper designed for adjusting the draft is always recommended for a flue connection or flue.

Country- and region-specific regulations must be adhered to when installing the fireplace