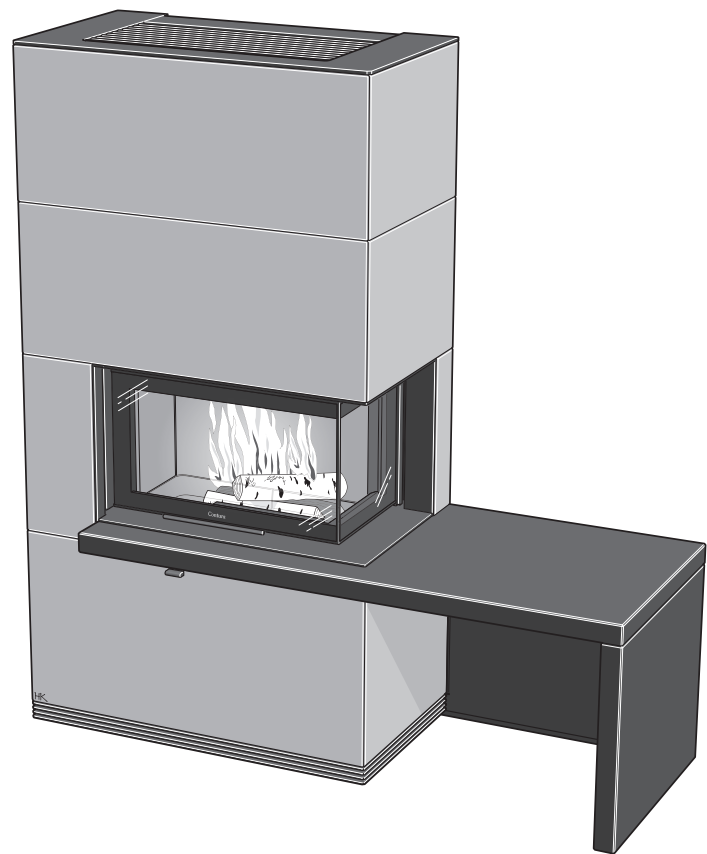
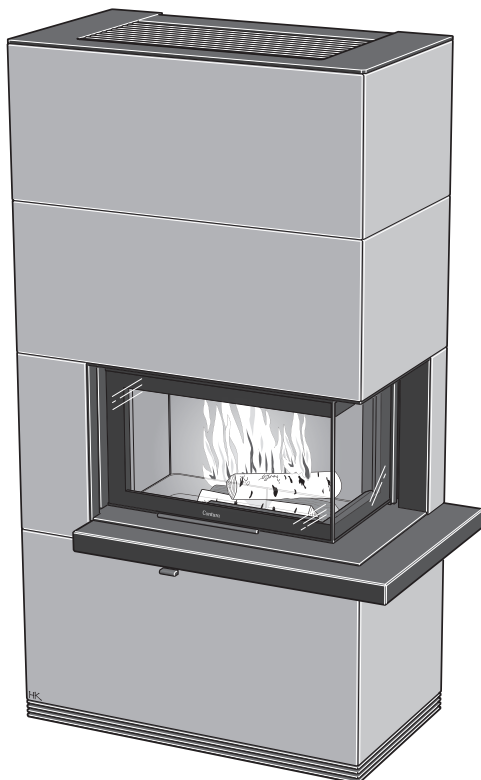
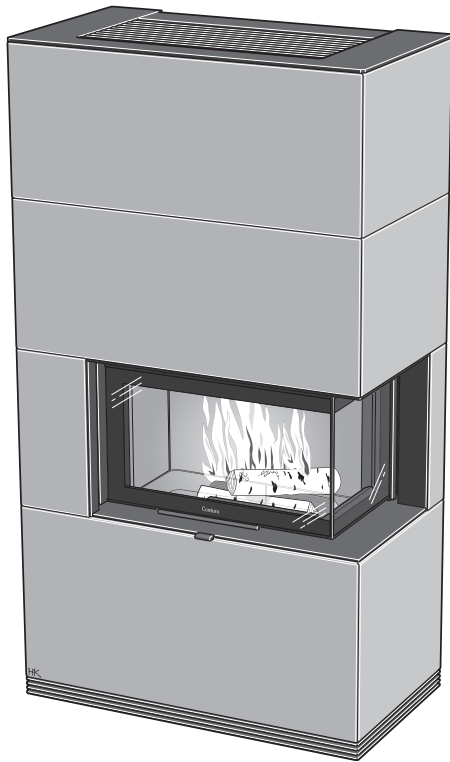


# Installation Instruction



Ci41

*Contura*

## Declaration of performance according to Regulation (EU) 305/2011

No. Ci41-CPR-191219

# Contura

### PRODUCT

Type Wood burning insert  
 Trade name Contura i41  
 Intended area of use Heating of rooms in residential buildings  
 Fuel Wood

### MANUFACTURER

Name NIBE AB / Contura  
 Address Box 134, Skulptörvägen 10  
 SE-285 23 Markaryd, Sweden

### VERIFICATION

According to AVCP System 3  
 European standard EN 13240:2001 / A2:2004 / AC:2007  
 Test institute Rein-Ruhr Feuerstätten Prüfstelle, NB 1625.

### DECLARED PERFORMANCE

ESSENTIAL CHARACTERISTICS	PERFORMANCE	HARMONISED TECHNICAL SPECIFICATION
Fire safety	Pass	EN 13240:2001 / A2:2004 / AC:2007
Fire classification	A1	
Minimum distance to flammable materials	Rear: 0 mm Side: 200 mm Side: 700 mm Ceiling: 730 mm Front: 1500 mm Floor: 0 mm Corner: NPD	
Fire hazard due to burning fuel falling out	Pass	
Cleanability	Pass	
Emissions from combustion	CO: 0,07%	
Surface temperatures	Pass	
Temperature on the handle	NPD	
Mechanical resistance	Pass	
Temperature in the space for wood storage	NPD	
Nominal output	7,0 kW	
Efficiency	81,0%	
Flue gas temperature at nominal output	273°C	
Flue gas temperature in flue spigot	328°C	

The undersigned is responsible for the manufacture and conformity with the declared performance.



**Niklas Gunnarsson**, Business area manager NIBE STOVES  
 Markaryd, December 19, 2019



A warm welcome to Contura.

A warm welcome to the Contura family. We hope you will get a great deal of pleasure from your new stove. As a new owner of a Contura stove, you have secured a product with timeless design and long service life. Contura also has a combustion process that is both environmentally friendly and efficient, for the best heat production.

Read through these installation instructions carefully before installation. Read how to best light your stove in the lighting instructions.

### List of Contents

Technical specifications	228
Surround	229
Chimney	230
Supply of combustion air	231
Installation distances	232
Corner installation	234
Positioning the insert	235
Assembling the stand	237
Assembling the surround – without shelf/bench	242
Assembling the surround – with shelf	250
Assembling the surround – with bench	260
Assembling grate and top	273

#### **NOTE:**

Report the installation of a fireplace to your local authority.

The owner of the house is personally responsible for ensuring compliance with the mandatory safety requirements and must have the installation approved by a qualified inspector. Your local chimney sweep must also be informed about the installation as this will affect the routines for regular chimney-sweeping services.

#### **WARNING!**

The stove becomes very hot

During operation, certain surfaces of the stove become very hot and can cause burn injuries if touched. Also, take heed of the strong heat radiated through the door glass. Placing flammable material closer than the safe distance indicated may cause a fire. Smoulder combustion can cause quick gas ignition with the risk of damage to property and personal injury.

## Technical specifications

<b>Model</b>	<b>i41</b>
Output	5-10 kW
Nominal output	7 kW
Efficiency	81 %

Model		Ci41A	Ci41T	Ci41S
Weight (kg)		355	425	390
Shelf:	+ 30 kg			
Bench:	+ 125 kg			
Powerstone (option):	+ 200 kg			
Protective screen (option):	+ 15 kg			
Width (mm)	910			
Depth (mm)	500			
Height (mm)	1650 / 1700			

Connector diameter Ø150 mm ext.

European standard EN-13240

DIN plus

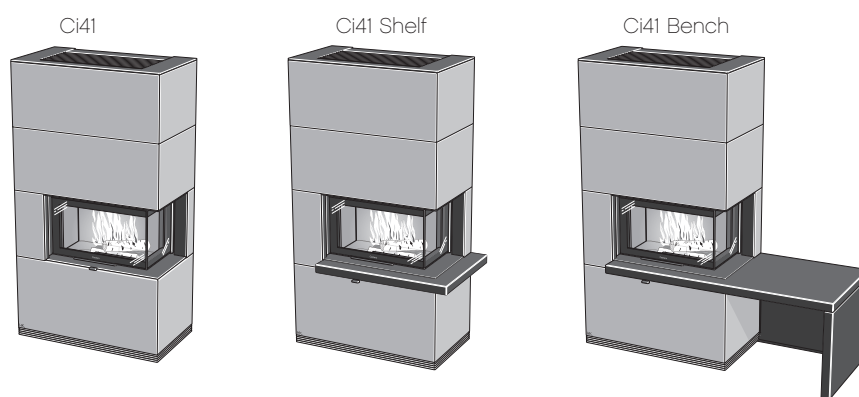
Bauart 1

Part 15a B-VG

Test report no: RRF-40 13 3403

SINTEF: 110-0408

Approved for installation in  
Smoke Control Area by DEFRA



### General

This manual contains instructions about how Contura i41 must be assembled and installed. More information about the insert is available in the separate installation instructions.

To ensure the function and safety of the hearth, we recommend that installation is carried out by an authorised technician. Our Contura dealers can recommend suitable technicians, information about our dealers can be found at [www.contura.eu](http://www.contura.eu)

Instructions for lighting are also supplied with the insert. Read them carefully and keep them safe for future use.

### Application to local authority

Before installing a stove or erecting a chimney, it is necessary for you to make an application for permission to your local authority. Ask your local authority for advice regarding regulations and the application.

### Structural support

If the fireplace is to be positioned on a wooden joist, a structural engineer should evaluate the load capacity of the floor. When the gross weight exceeds 400 kg, reinforcement of the wooden joists is usually necessary.

### Hearth plate

Due to the risk of falling embers, a flammable floor must be protected by a hearth plate. It must extend 300 mm in front of the stove and 100 mm on each side of the stove, or have a 200 mm extension on each side of the opening. The hearth plate can consist of natural stone, concrete, metal or glass. A glass hearth plate is available as an accessory for these models.

### Wall behind

If your Contura i41 is to be installed against a combustible wall, the wall must be protected by a firewall or by the integrated protective screen which is available as an option in some markets. The following material requirements are made of the firewall:

The building material must not be combustible.

The thermal conductivity coefficient  $\dot{e}$  may be a maximum of 0.14 W/mK. The thickness of the building material must always be at least 100 mm. In cases where the building material's insulation properties are given as a U-Value, this must be a maximum of 1.4 W/ m<sup>2</sup>K.

#### List of suitable materials:

**Aerated concrete**  $\lambda = 0.12-0.14$

**Vermiculite**  $\lambda = 0.12-0.14$

**Calcium silicate**  $\lambda = 0.09$

Contact your chimney sweep for advice in choice of other materials. Remember that even a non-combustible wall may require protection if it is a load bearing wall or has combustible material behind it.

# Surround

Only handle the stone with clean hands or gloves. Handle the stone carefully so as not to damage fragile corners and edges.

that all the stone sections are straight and that all stones are of a uniform height. Use shims if necessary.

The stone is a natural material, which means that there may be certain irregularities and variations in its appearance. Clean the stone with a damp cloth. Soapy water can be used if necessary. To avoid abnormally large gaps and uneven lines, it is important that the stove and steel stand are straight and stable. Adjust and align it carefully before hanging the stone. During assembly, check

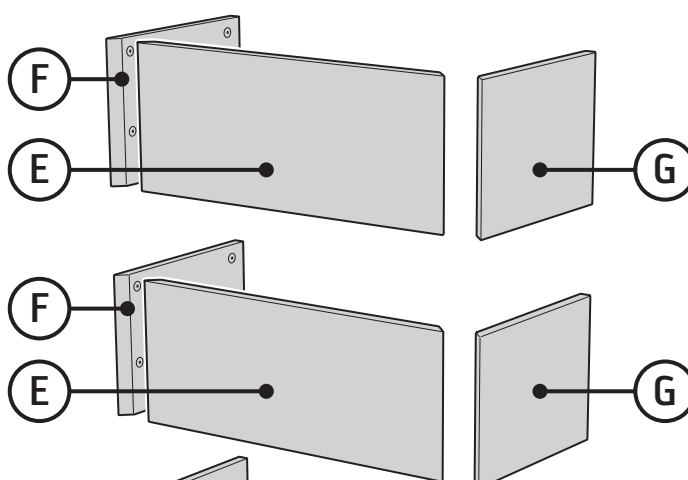


After assembly is complete some adjustment of the insert feet can improve the joint between the insert and the surround. The internal fit of the stone can also be adjusted using the stand feet. All feet must be contact with the base after any adjustment.

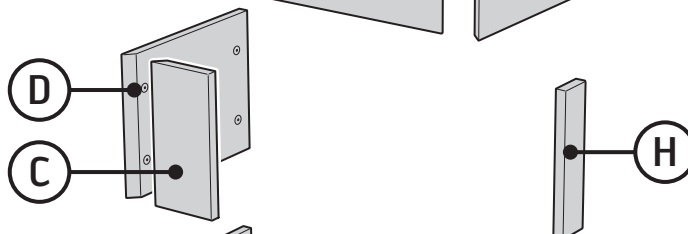


Shims

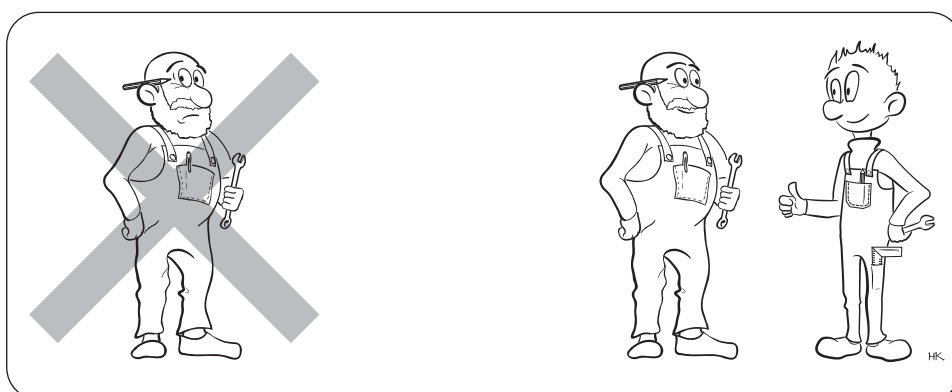
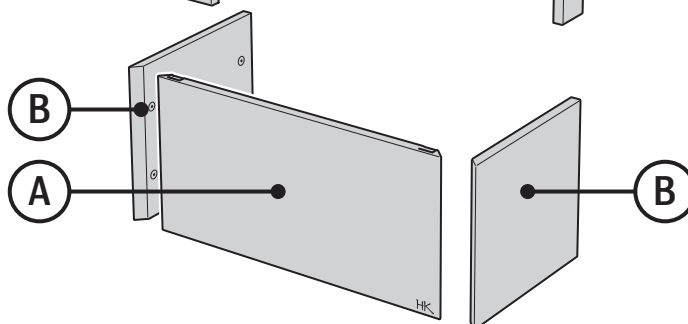
Sections 3 and 4:  
Height 370 mm.  
Sections 3 and 4 consist of similar panels.



Section 2:  
Height 400 mm (not shelves / bench).  
Height 450 mm (with shelves / bench).  
Supplied packaged separately.



Section 1:  
Height 450 mm.



## Chimney

The insert is type approved in accordance with EN 13240 and must be connected to a chimney dimensioned for at least 350°C the external connection diameter is  $\varnothing 150$  mm.

The insert requires a chimney draft that creates a negative pressure of 20–25 Pa in the firebox. The draft is affected both by the length and area of the chimney, and by how well sealed it is. Minimum recommended chimney length is 3.5 m and suitable cross section area is 150-200 cm<sup>2</sup> ( $\varnothing 140$ -160 mm in diameter). Note that a flue with sharp bends and horizontal routing reduces the draught in the chimney. The maximum horizontal flue is 1 m, on the condition that the vertical flue length is at least 5 m.

Carefully check that the chimney is sealed and that there is no leakage around soot hatches and flue connections.

Make sure that the connector gasket does not work loose when the connection pipe is placed on the connector. If further sealing material is required, heat-resistant sealant may be used.

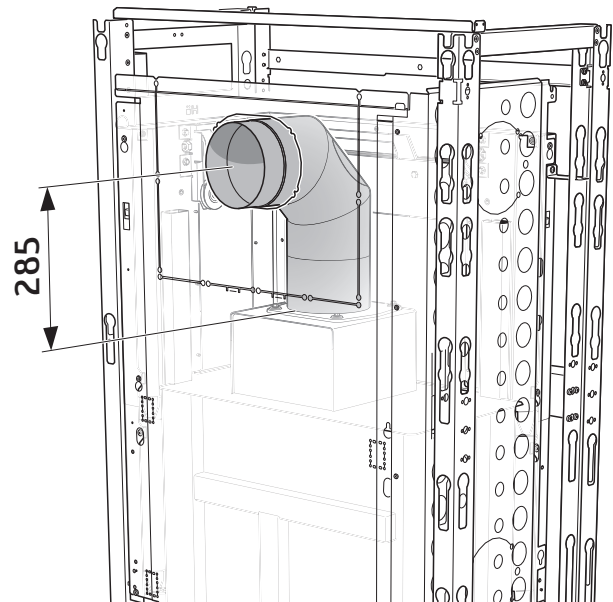
It must be possible to sweep the full length of the flue and the soot hatches must be easily accessible.

If two fireplaces are connected to the same chimney flue, the stove must be equipped with self-closing door, see insert instructions.

### Rearward connection

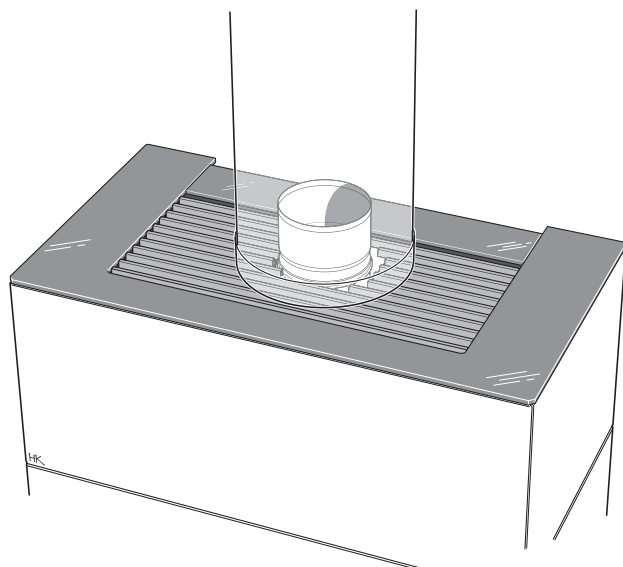
If a protective screen is selected, this must be installed before making the chimney connection.

For the rearward connection it is recommended to use a 45°+ 45° angle with soot hatch and with the centre 285 mm above the connector.



### Top connection

Create an opening in the top grate by using the shorter grate profiles, see page 275. Cover the gap with a cuff.



# Supply of combustion air

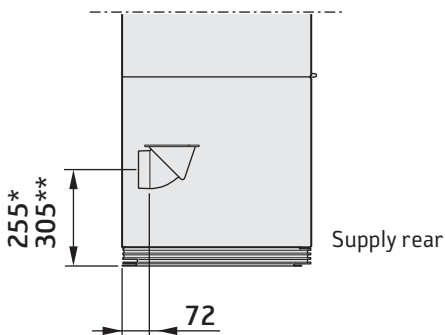
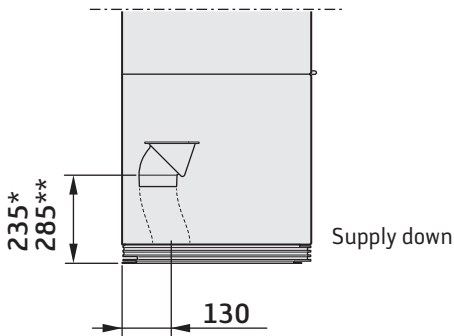
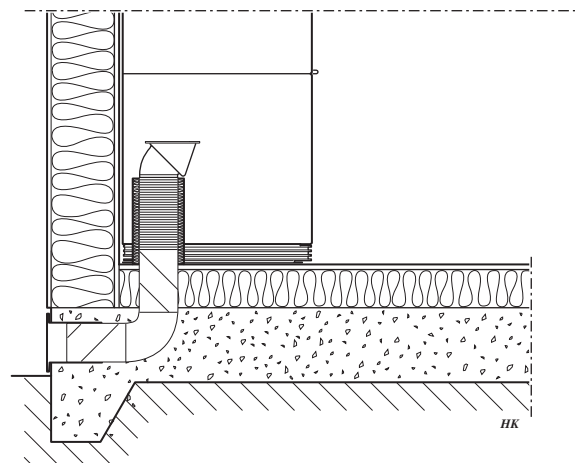
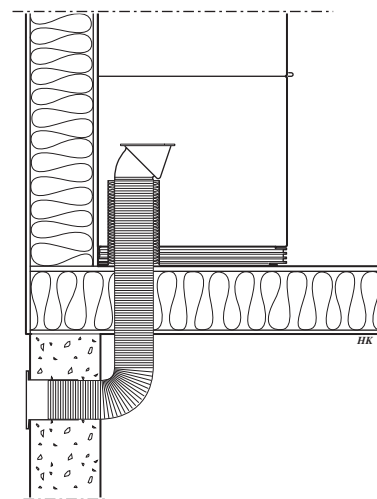
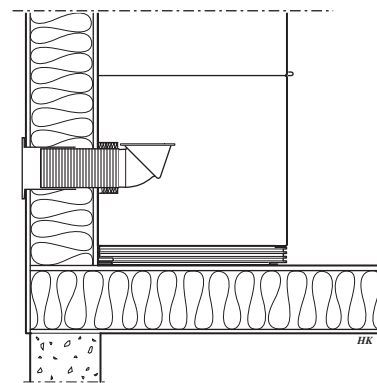
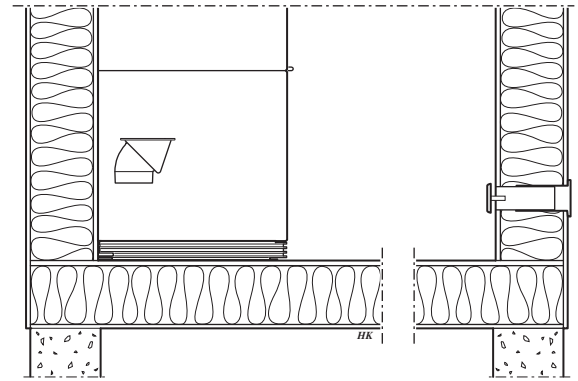
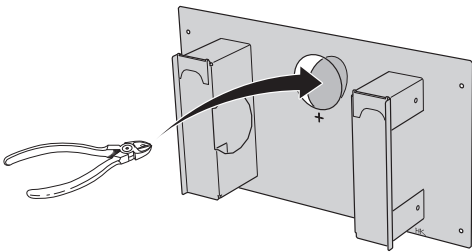
Supply of combustion must be provided. Combustion air can be provided directly via a duct from outside, or indirectly via a vent in the outer wall of the room where the stove is placed. The amount of combustion air that is used for combustion is approx. 25 m<sup>3</sup>/h. Some installation alternatives are shown to the right. The air duct connection on the stove has an external diameter of Ø100 mm.

In hot areas the duct should be insulated with 30 mm mineral wool covered with a moisture inhibitor (aluminium tape). It is important that the lead-in, between the pipe and the wall (or floor), is sealed using jointing compound.

A 1 m length of condensation-insulated ducting for combustion air is available as an accessory.

## Knockout

To insert the combustion air hose through the floor panel, remove the knockout.



\* Without shelf/ bench  
\*\* With shelf/ bench

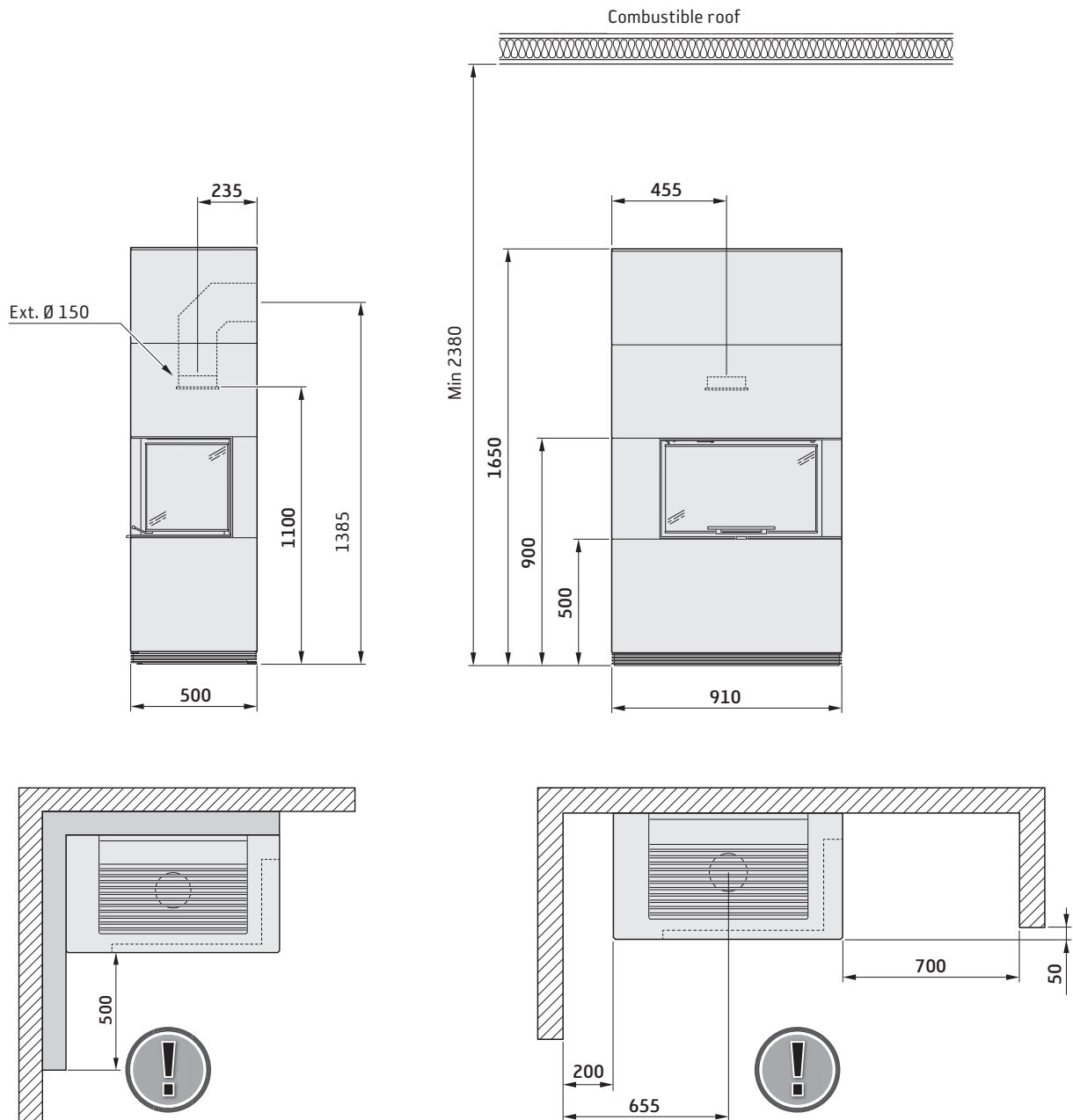
# Installation distances

Ci41  
Without shelf/ Bench

## Important!

The dimension diagrams only show the minimum permitted installation distances for the stove. When connecting to a steel flue, also note the safety distance requirements of

the flue. The minimum distance to combustible parts of the building or interior decoration in front of the stove must be at least 1.5 m.



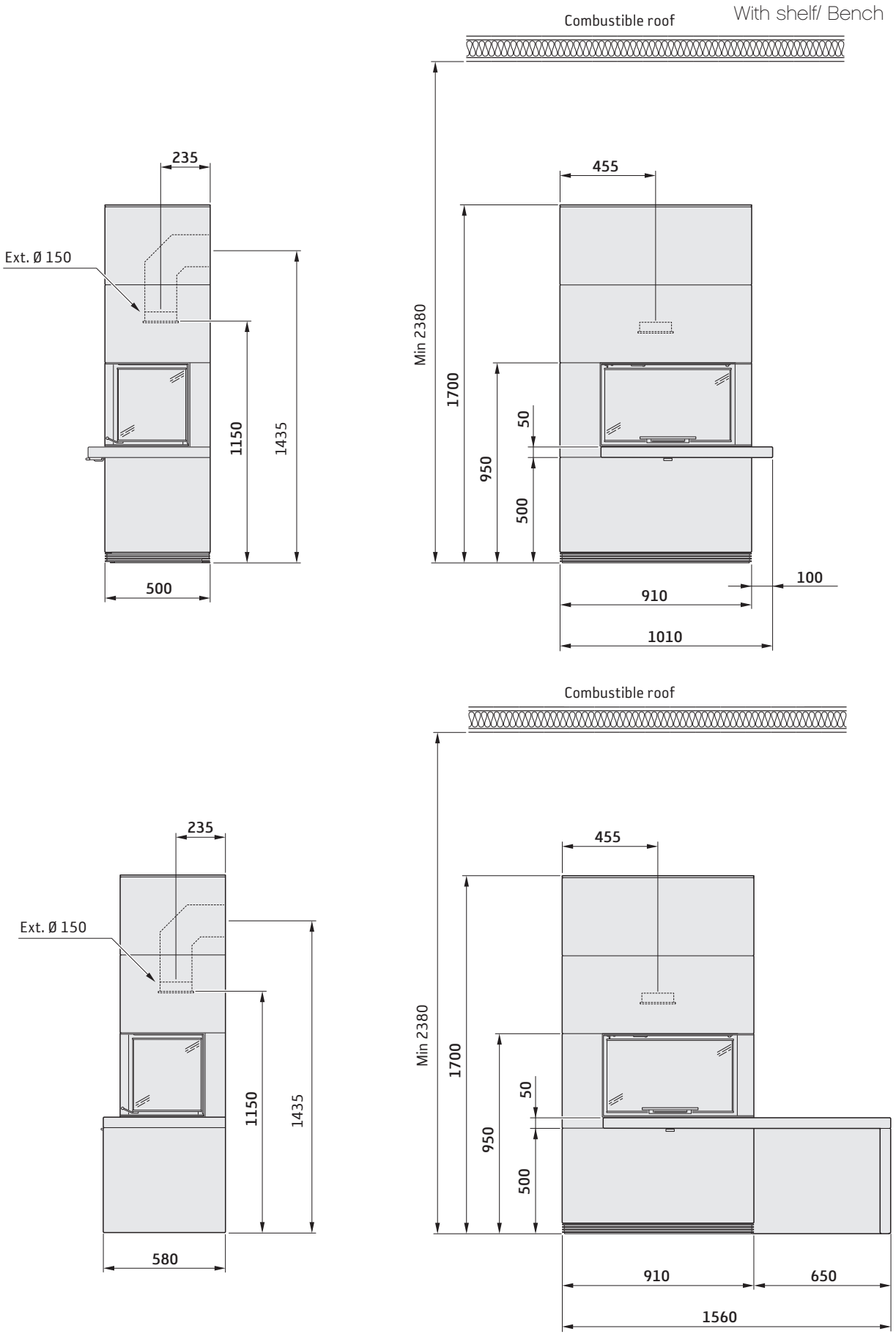
For corner installation, the rear and side walls must always be non-combustible, alternatively both must be protected by an external firewall. Material requirements for firewall according to the section "Walls behind" on page 228.

For placement against combustible rear walls, a built-in protective screen (option in some markets), or an external firewall that protects the wall behind is required. Material requirements for firewalls according to the section "Walls behind" on page 228.



# Installation distances

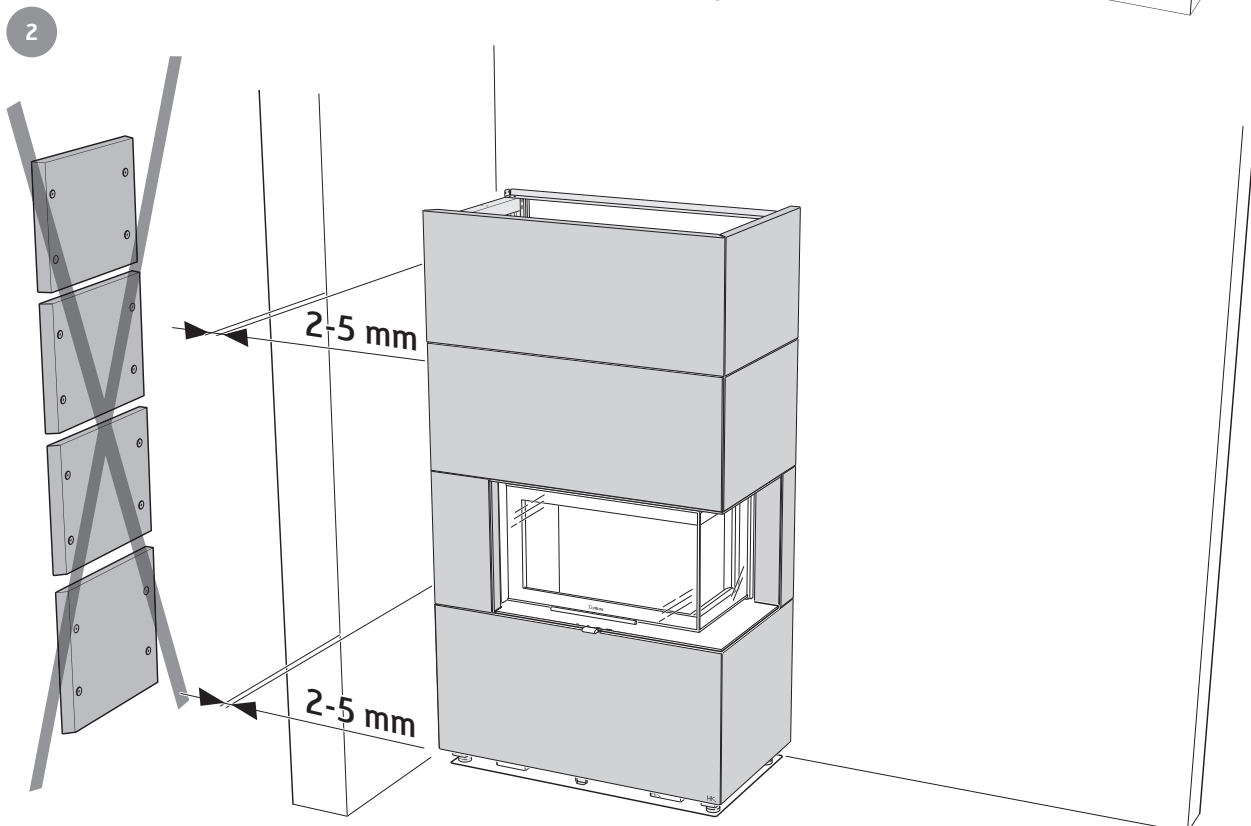
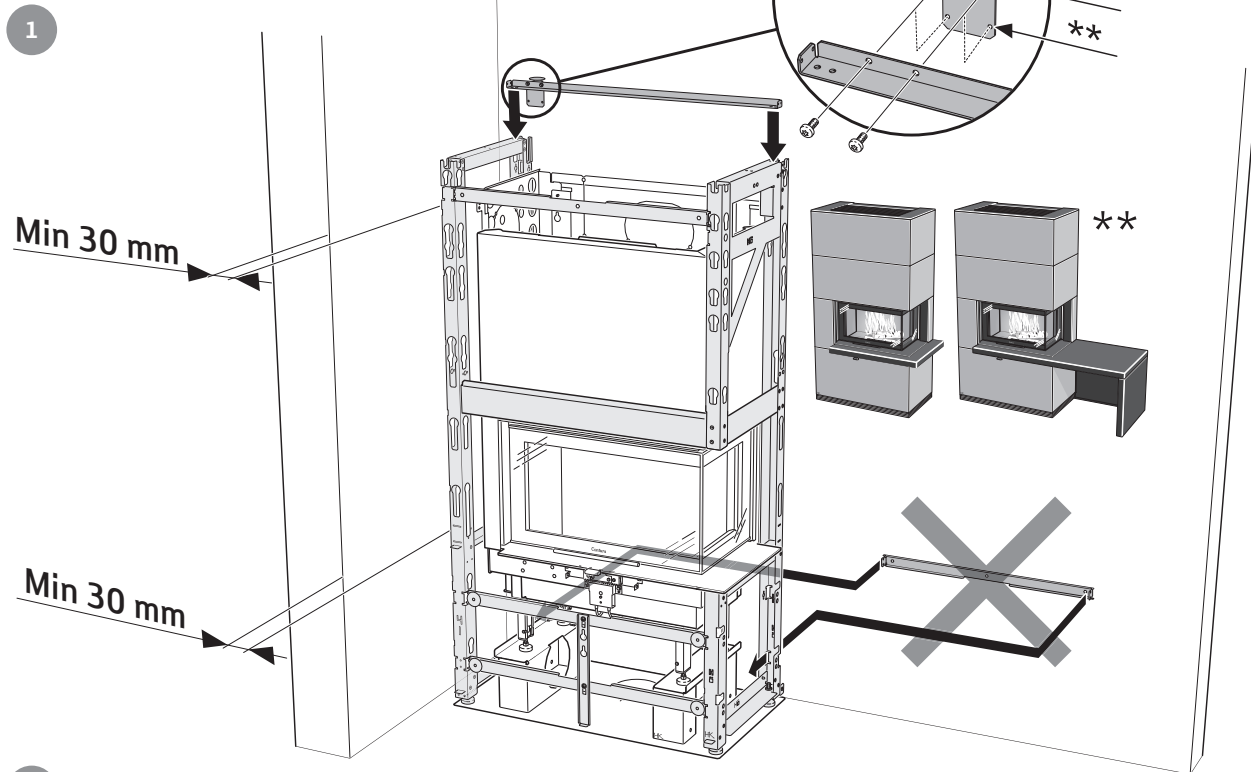
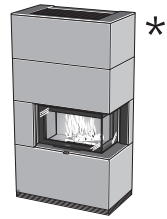
Ci41



## Corner installation

Contura i41 can be positioned in a corner with non-combustible walls according to the section "Walls behind" on page 228. This type of installation includes the following:

- Lower rear brace is withdrawn (image 1)
- Supplementary support for the top is installed (image 1)
- Row of side stones against wall is withdrawn (image 2)
- There will be a gap between the surround and side wall (2-5 mm), this can be sealed using grout.



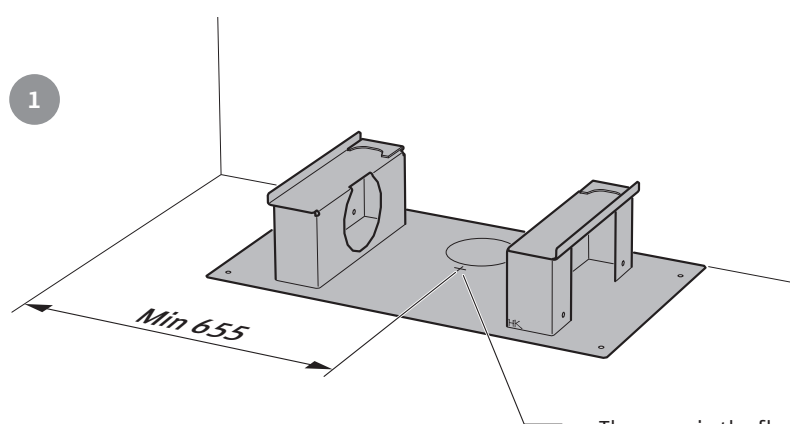
## Positioning the insert



If the protective screen is selected – read these instructions before installing the insert or chimney.

Position the floor section and check that the minimum permitted distance to combustible material is kept. Measure to the centre of the floor section.

The rear edge of the floor section will align with the complete rear edge of the surround.



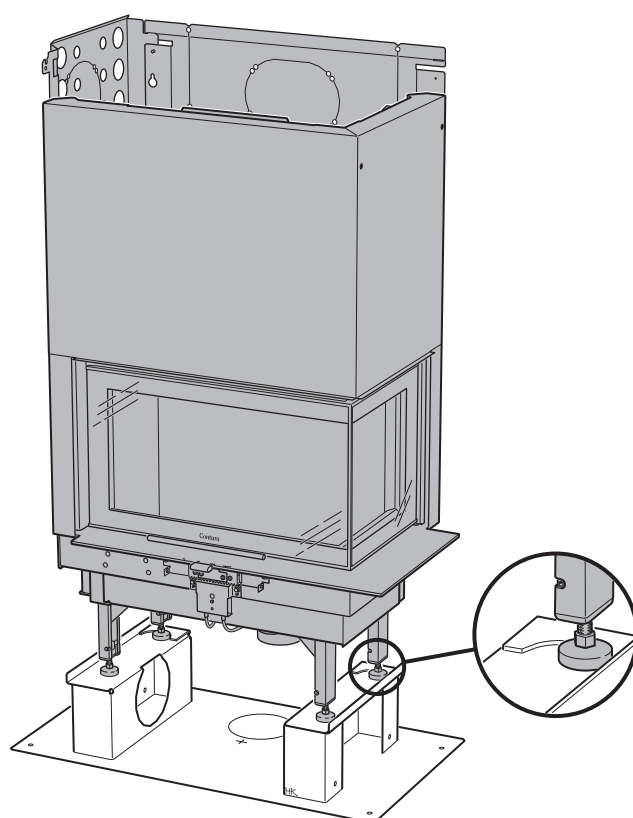
The cross in the floor panel indicates the location of the flue gas output.



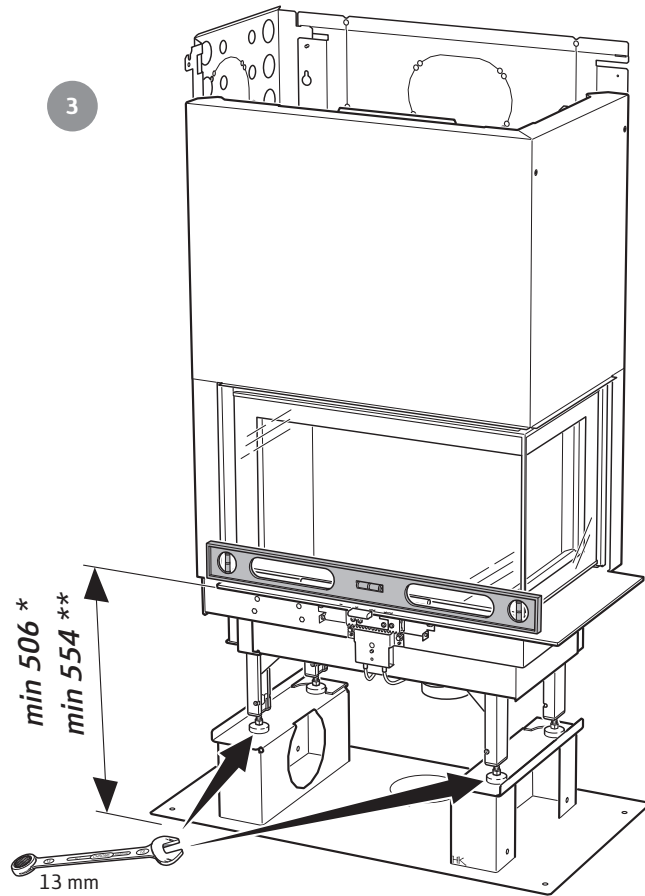
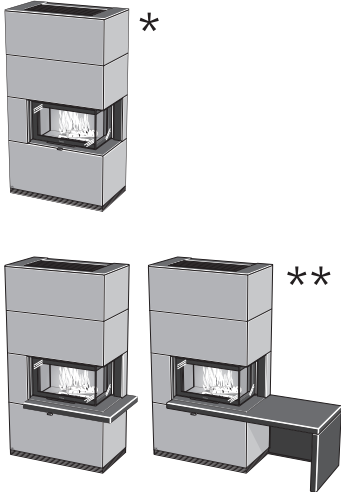
The stove can be positioned tight to the wall behind.

When installing against non-vertical walls and to facilitate installation it is recommended that a small gap is left between the wall and stove. Lay the floor section a slight distance from the wall behind, and align the position of the holes in the ceiling for the chimney lead-in with the same dimensions.

2



Place a spirit level on the moulding below the door, and adjust the front feet to the specified measurement from the floor to the moulding's lower edge and until the spirit level is straight.

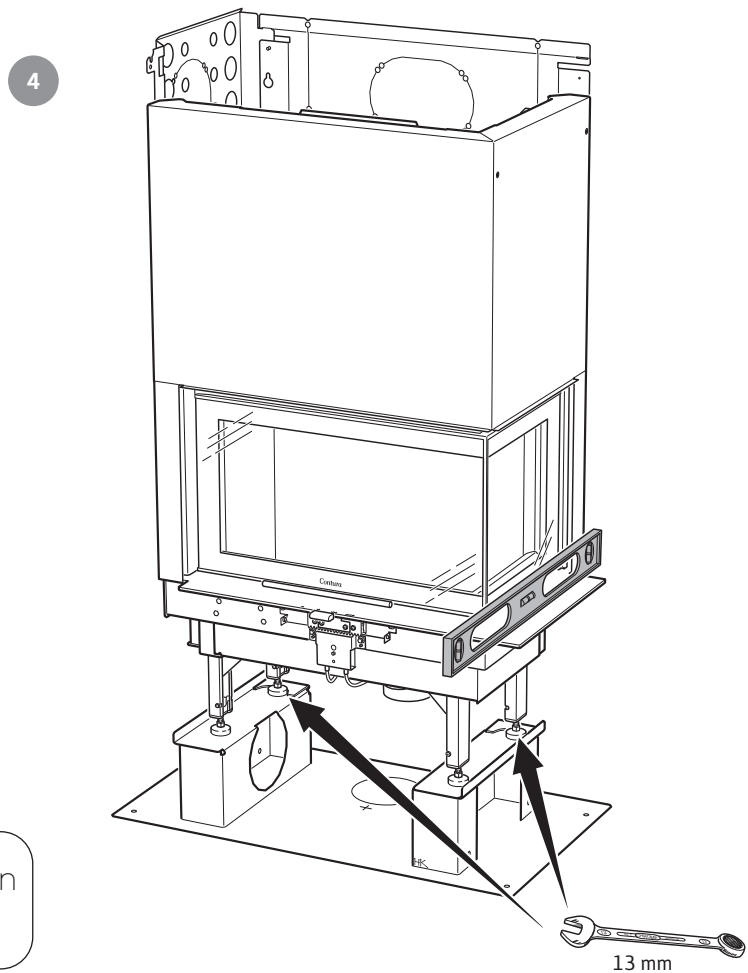


Position the spirit level as illustrated and adjust the rear feet until the stove is level.



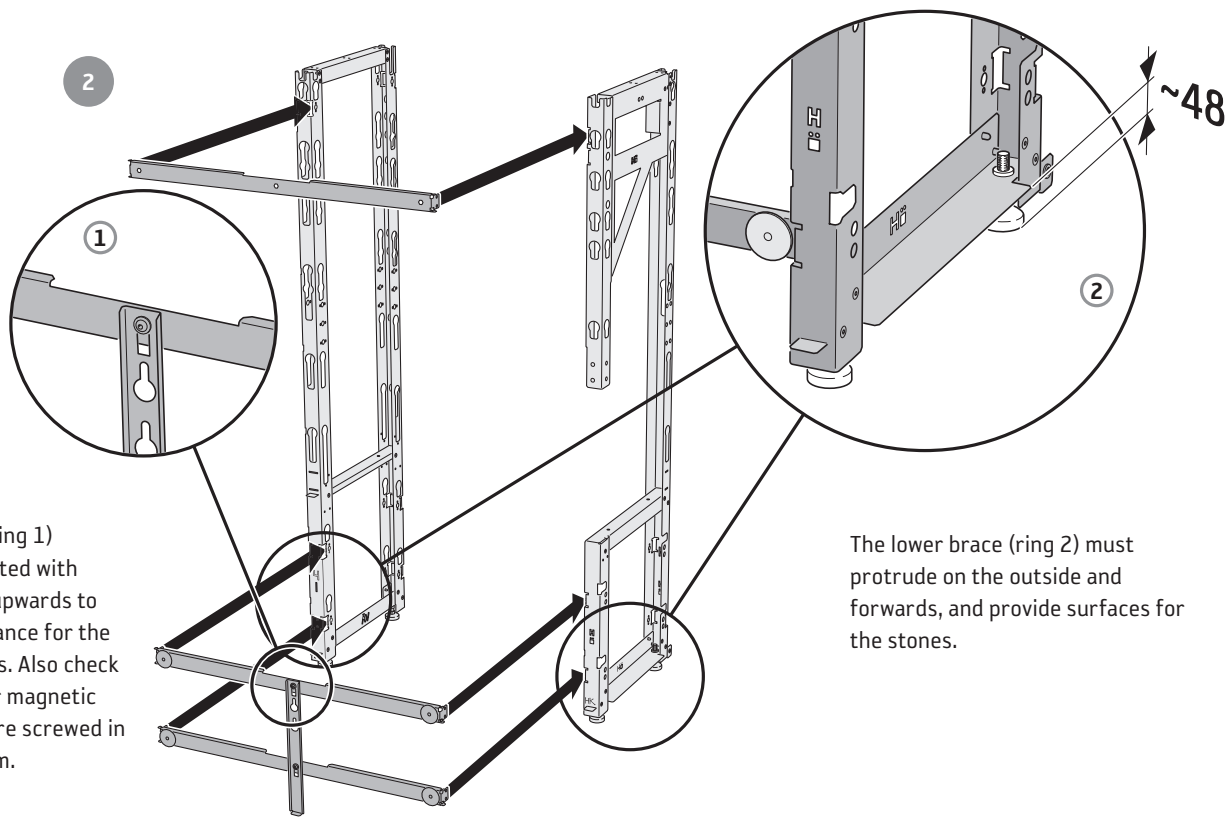
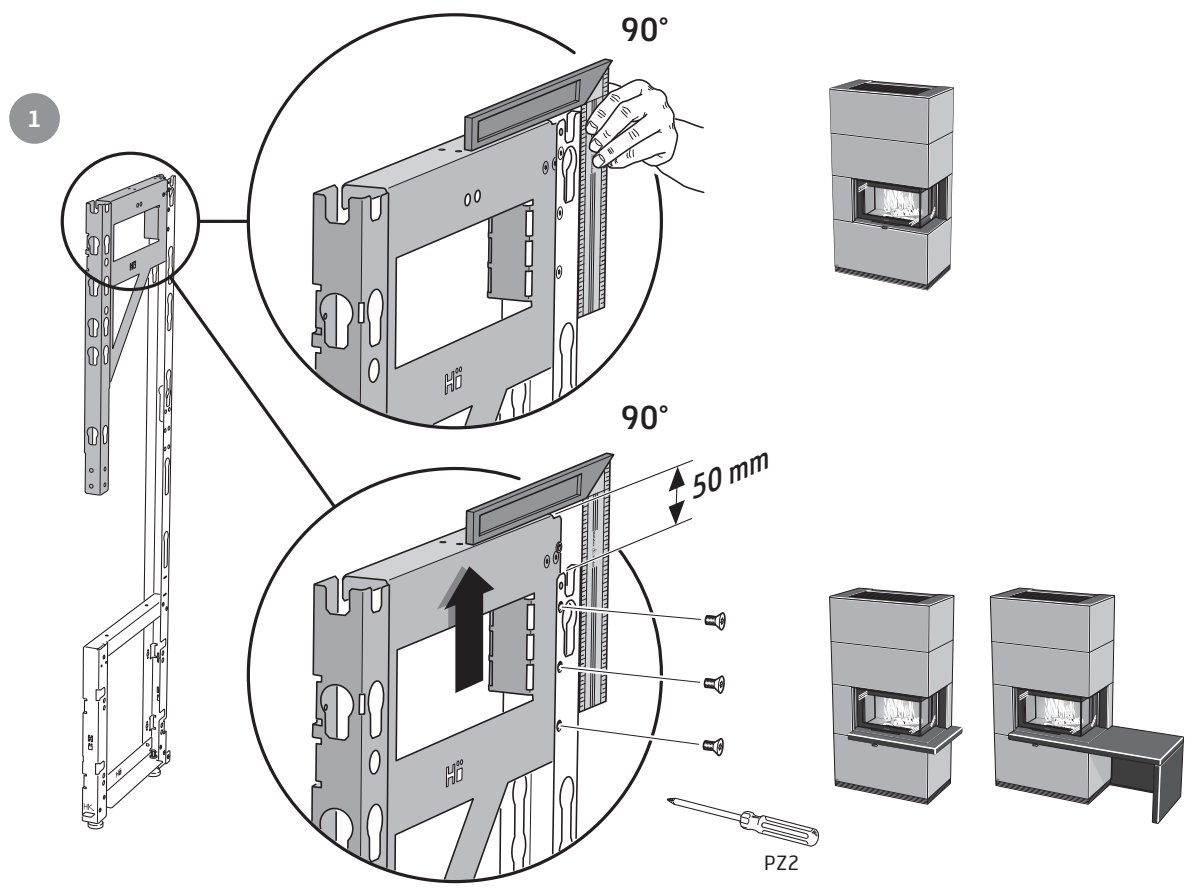
Check that the transport locking device of the counterweight is removed according to the insert instructions before assembling the surround.

- With combustion air hose as option  
—now connect according to separate instructions.



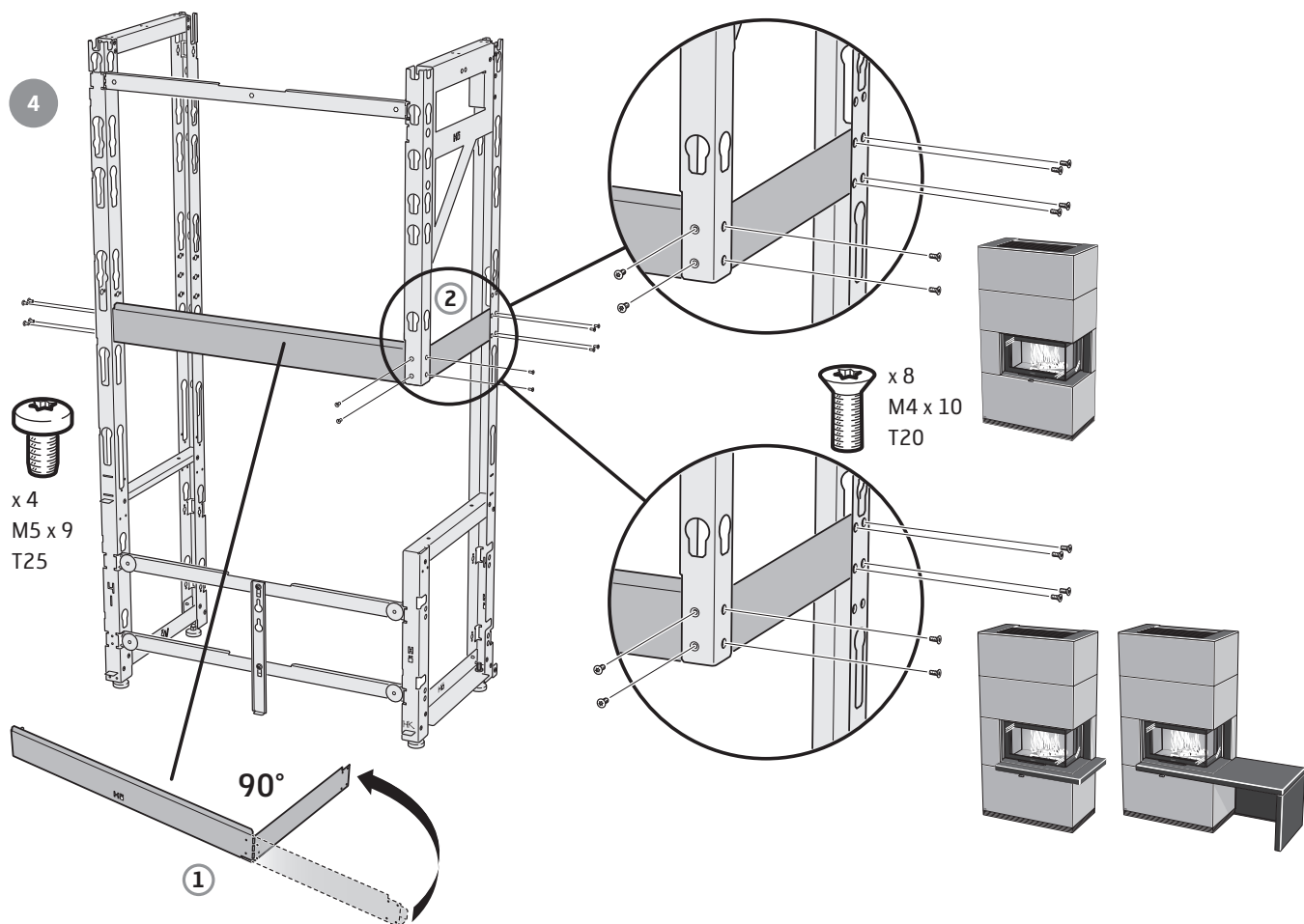
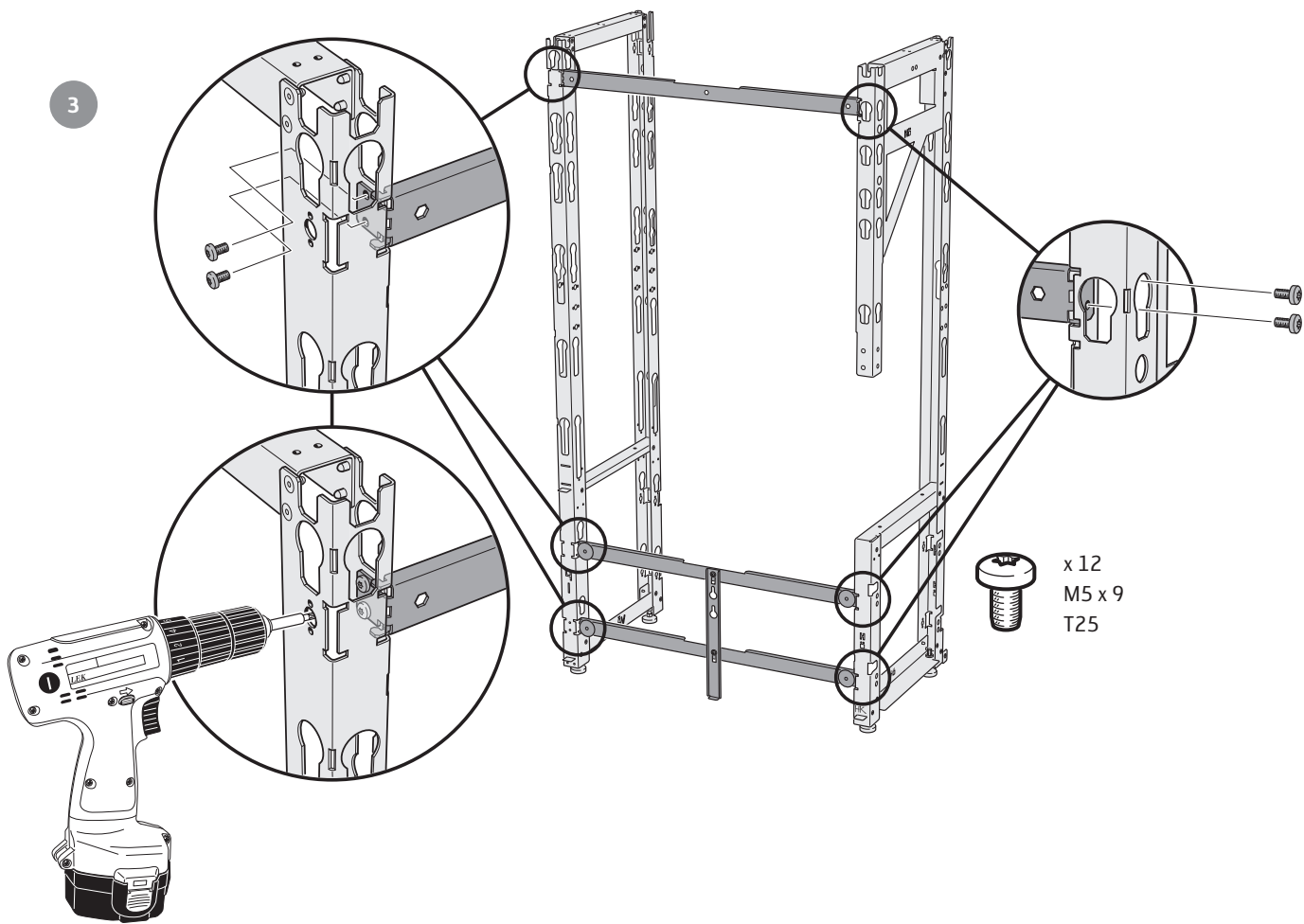
13 mm

# Assembling the stand

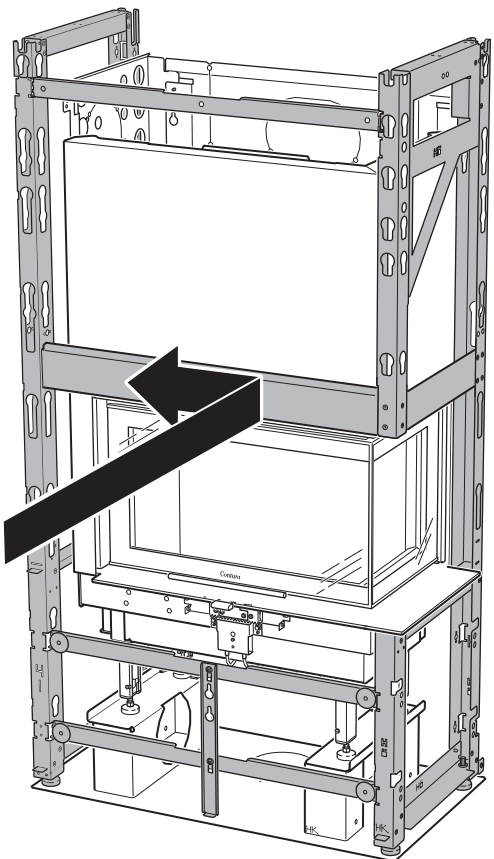


This brace (ring 1) must be twisted with the cut-out upwards to create clearance for the damper wires. Also check that the four magnetic mountings are screwed in at the bottom.

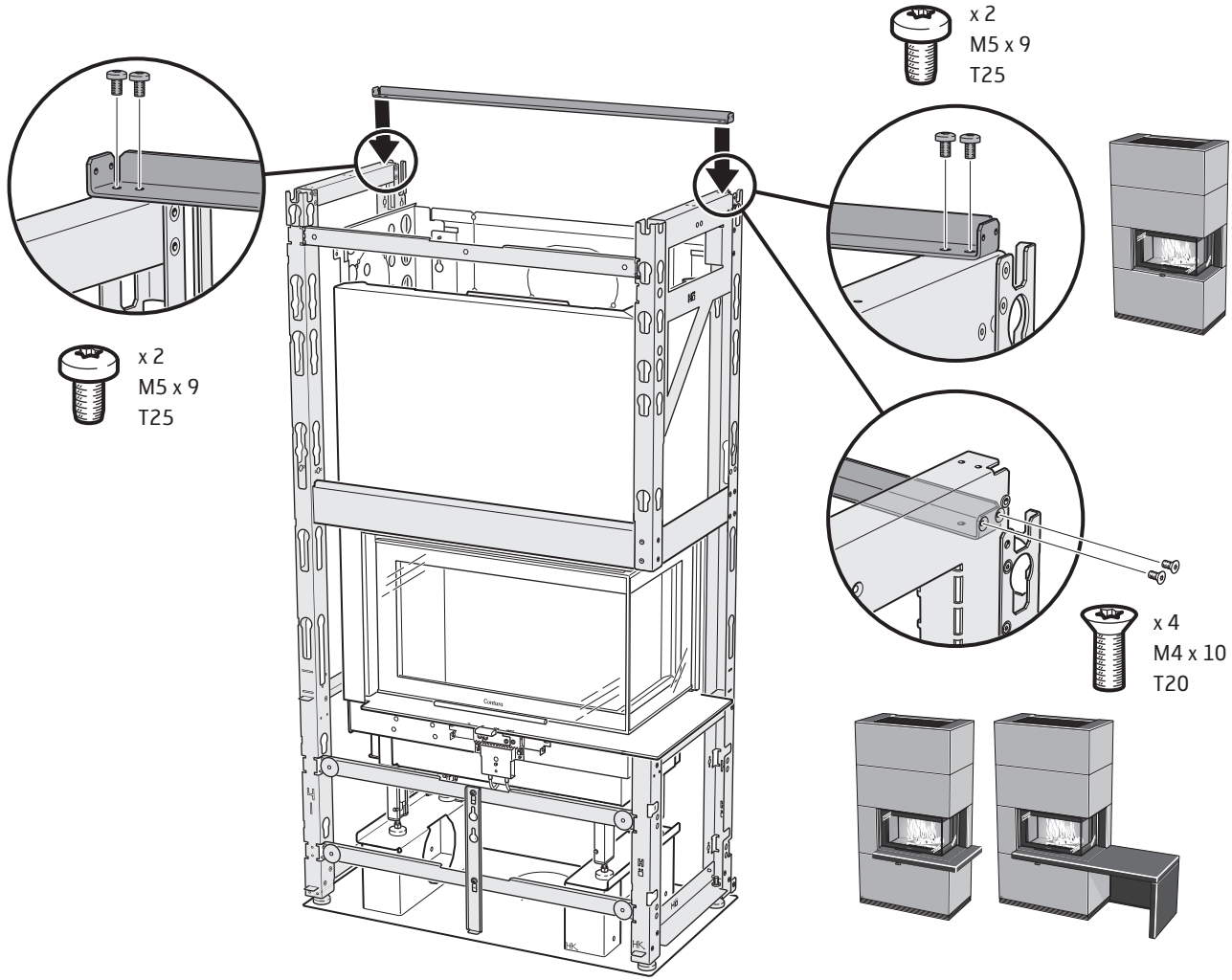
The lower brace (ring 2) must protrude on the outside and forwards, and provide surfaces for the stones.



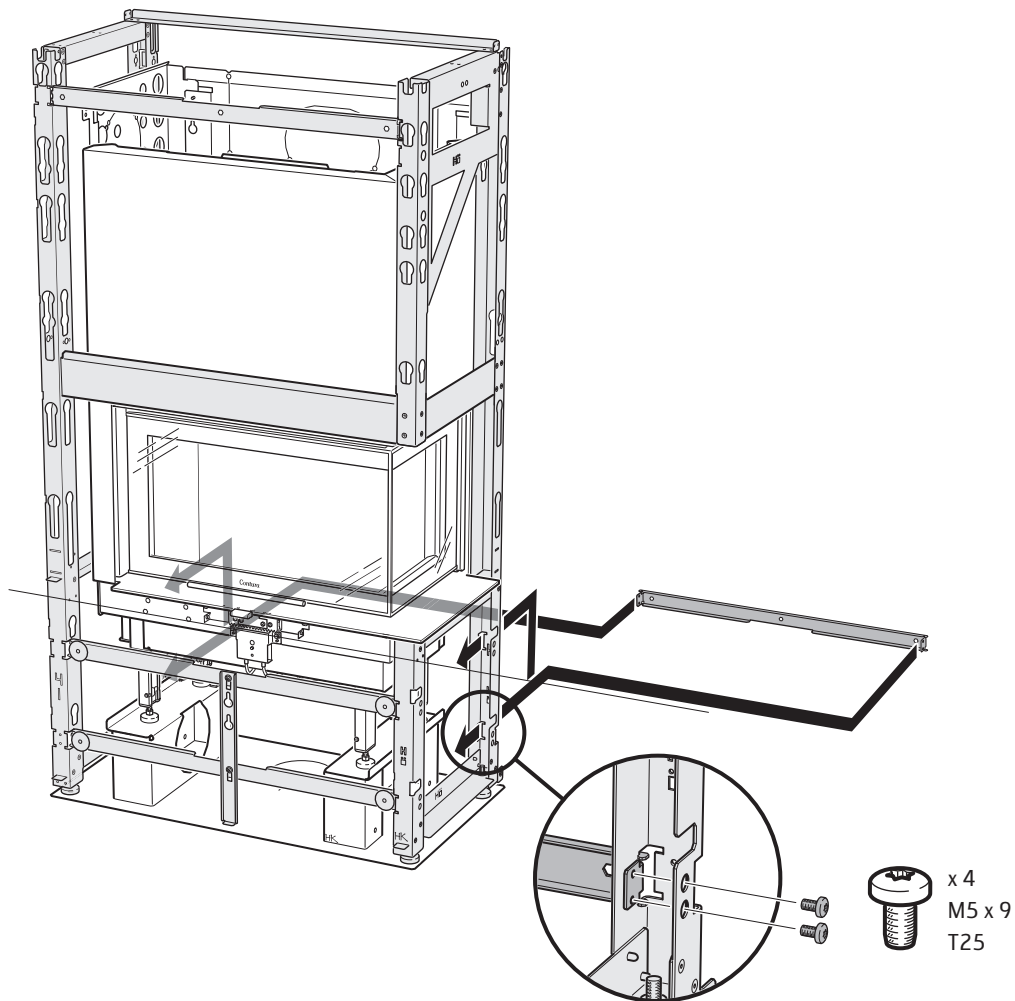
5



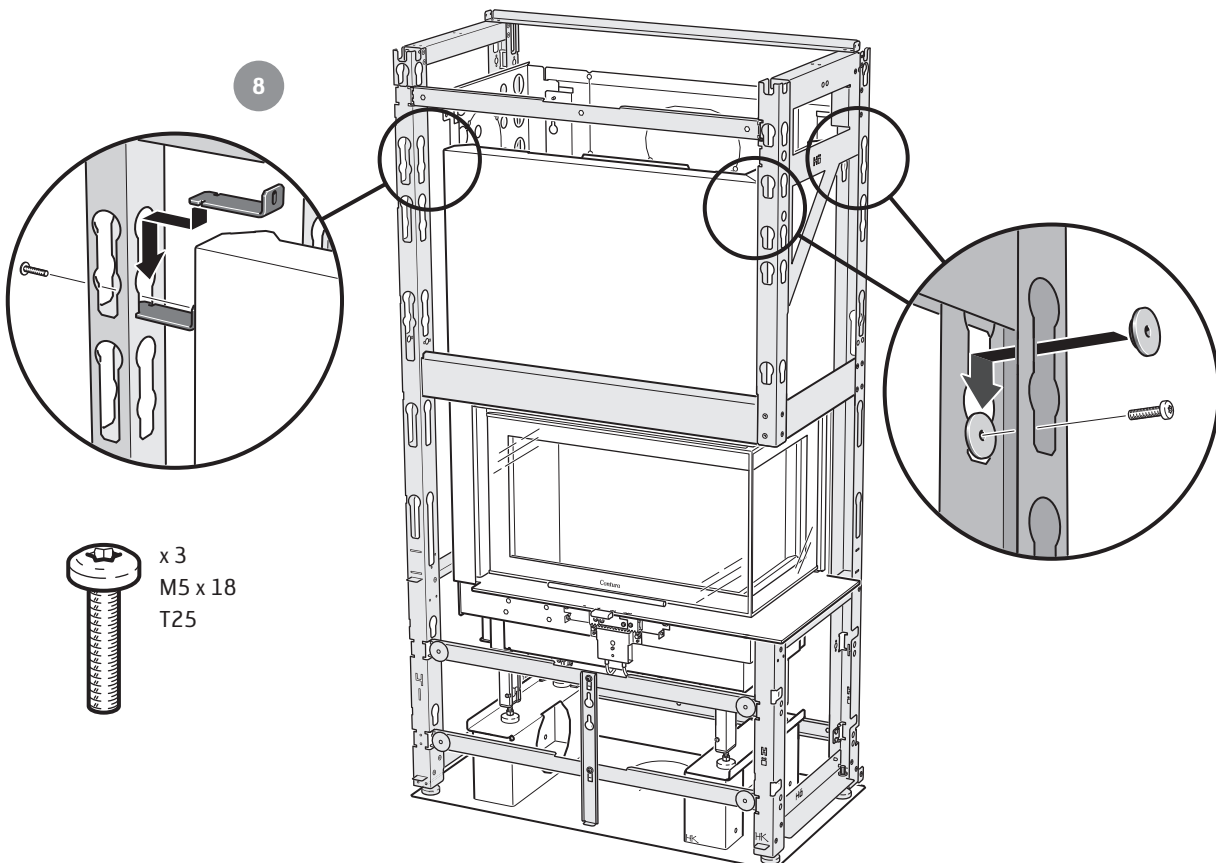
6



7

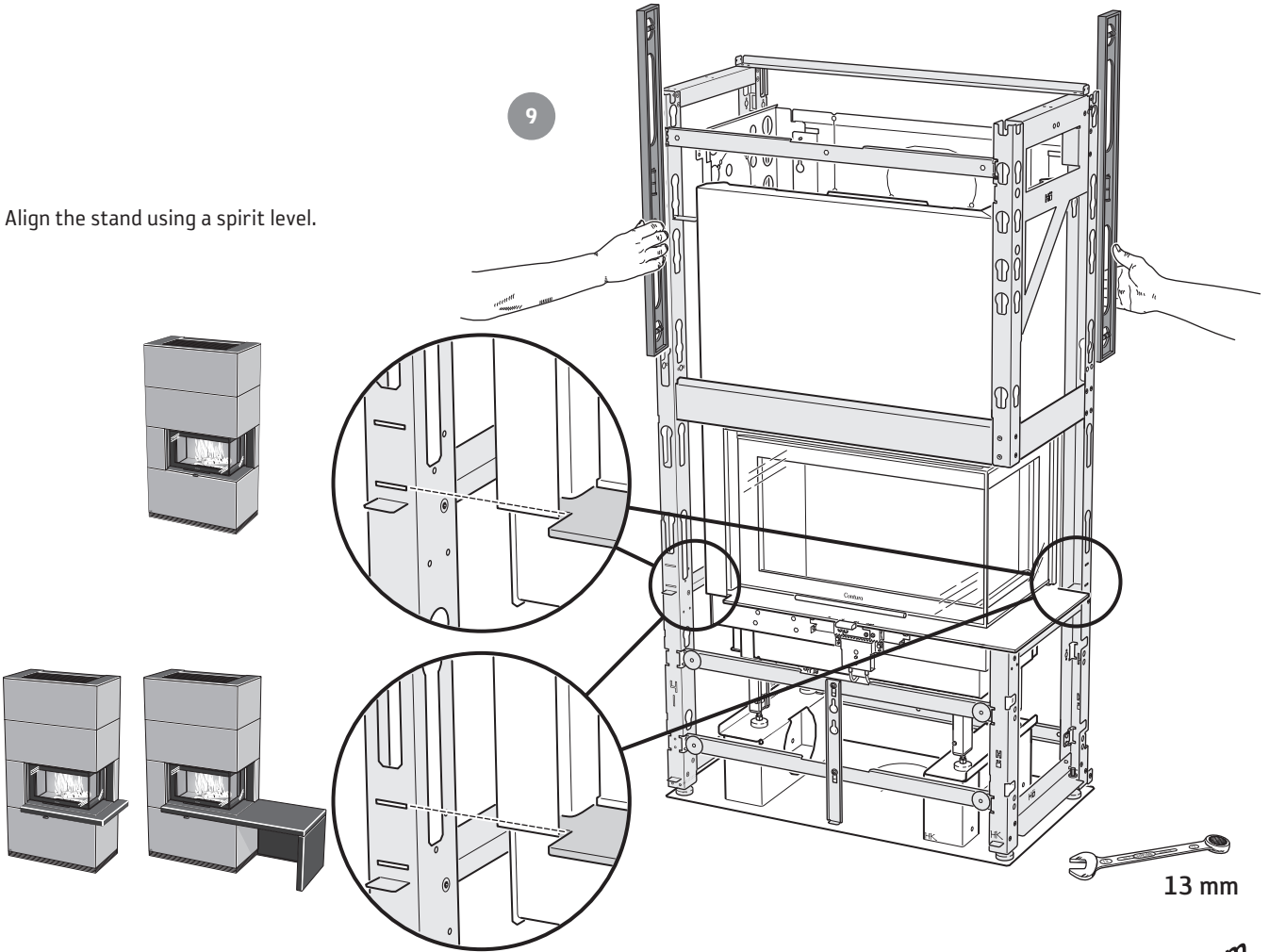


8





Align the stand using a spirit level.

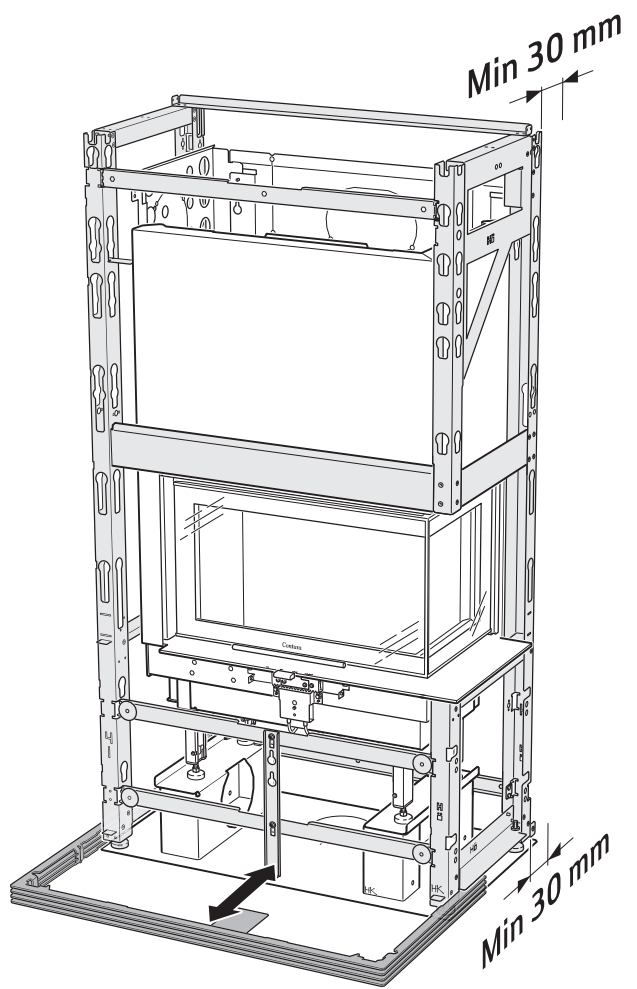


Ensure that the disc base can be pushed around the stand. Adjust the base height with the rubber feet. On heavily sloping floors the insert and stand may need to be raised further.

Then reposition the base until all stones are in place.

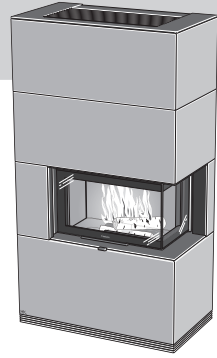
Check that there is a 30 mm gap all the way between the rear of the stand and wall behind.

10



- With protective screen as option – now connect according to separate instructions.
- Connect the chimney - upwards or rearwards, follow the chimney manufacturer's instructions.
- With Powerstone as option – position the heat tank according to the insert's instructions.

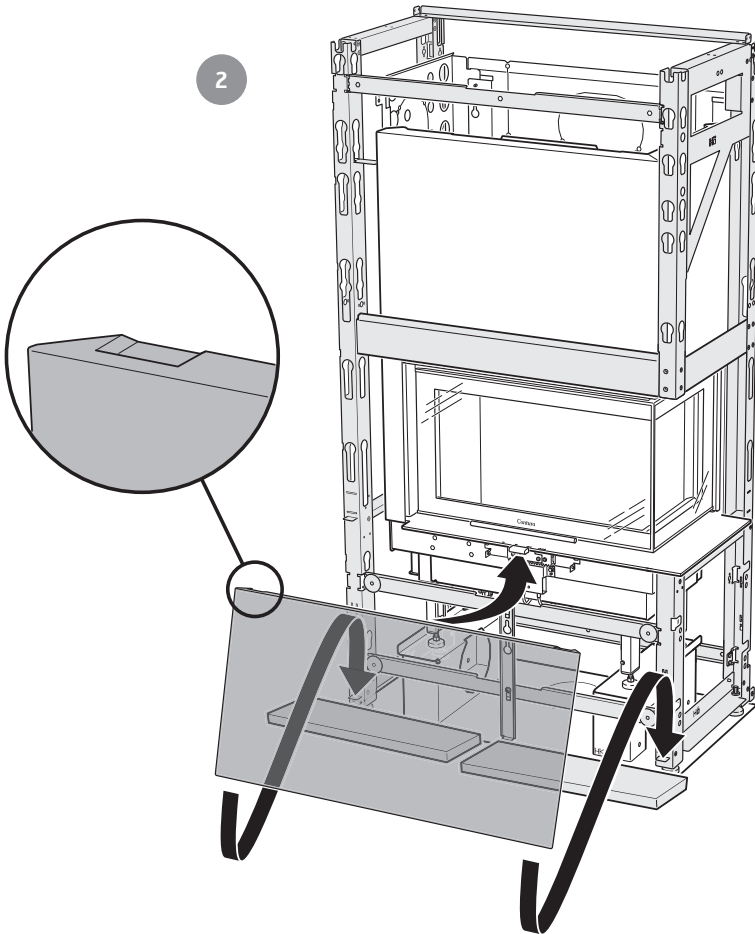
## Assembling the surround – without shelf/bench



1

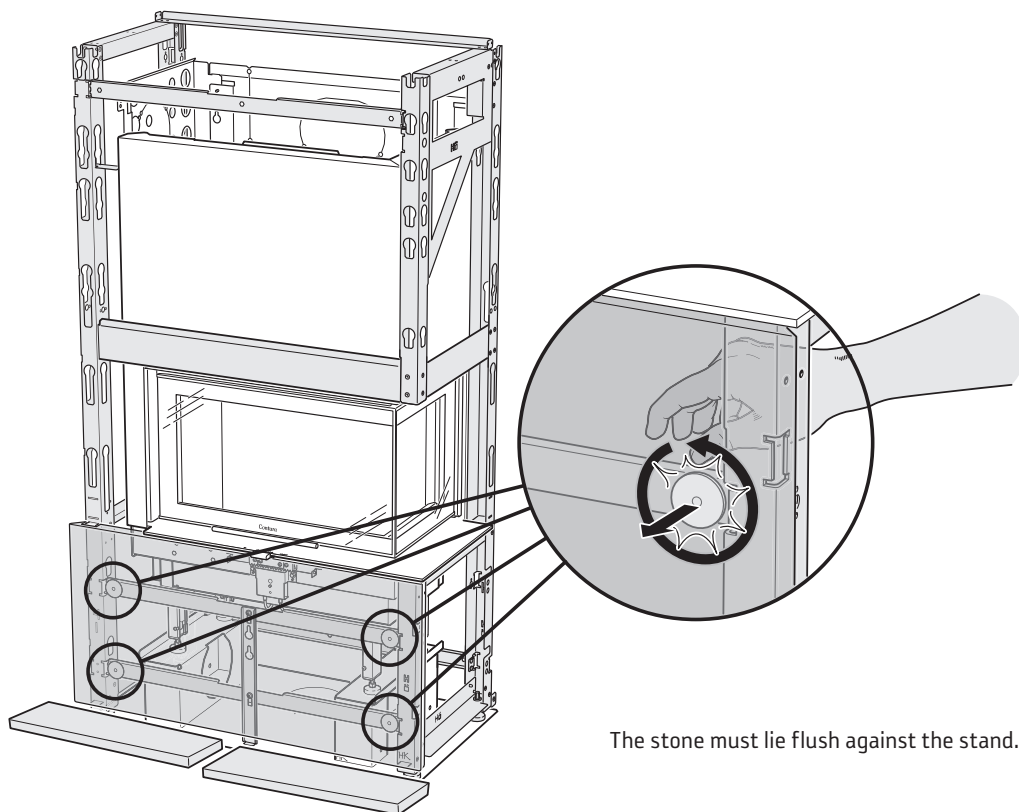


2



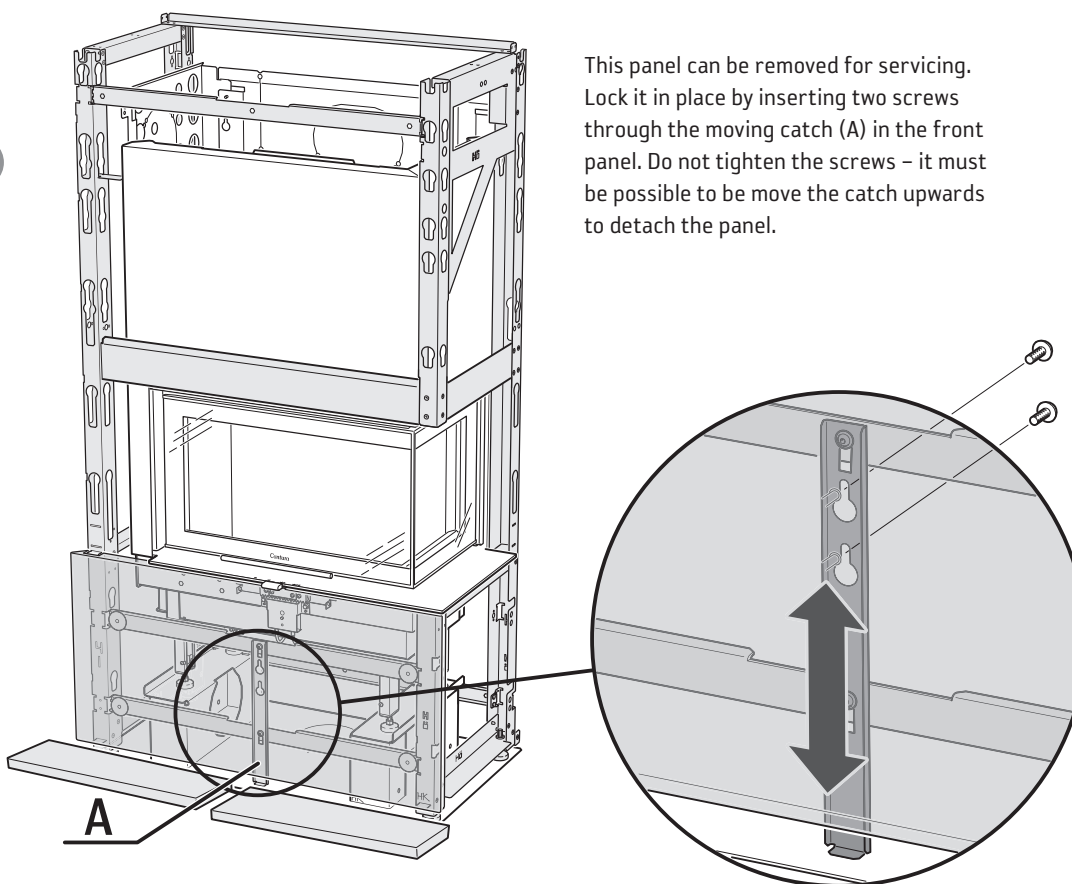
Place a foam sheet on the floor to prevent the stone corners from becoming damaged when handling.

3



The stone must lie flush against the stand.

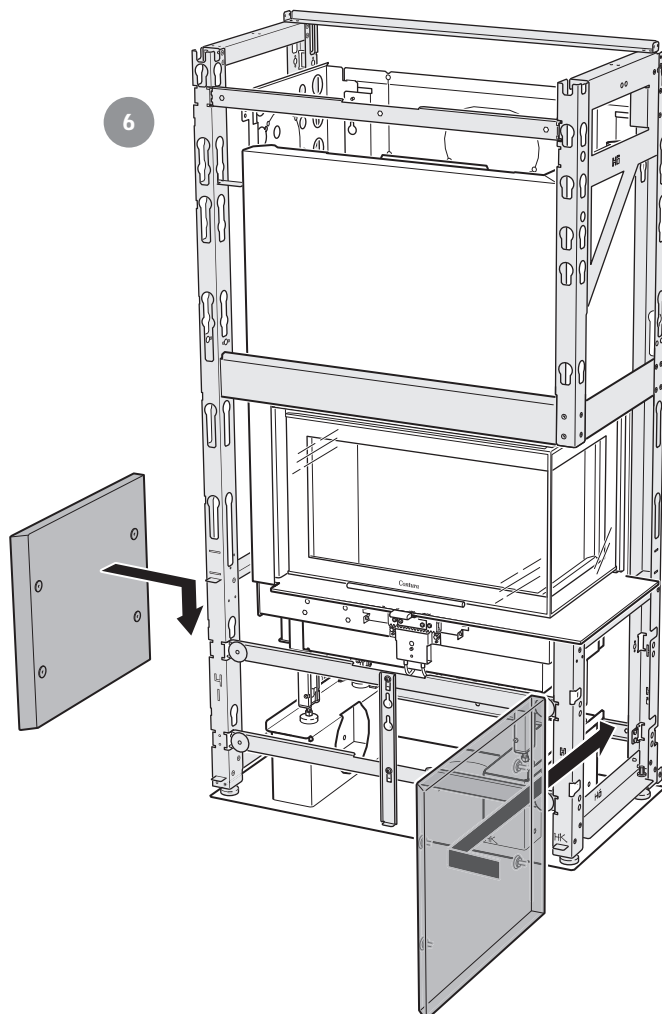
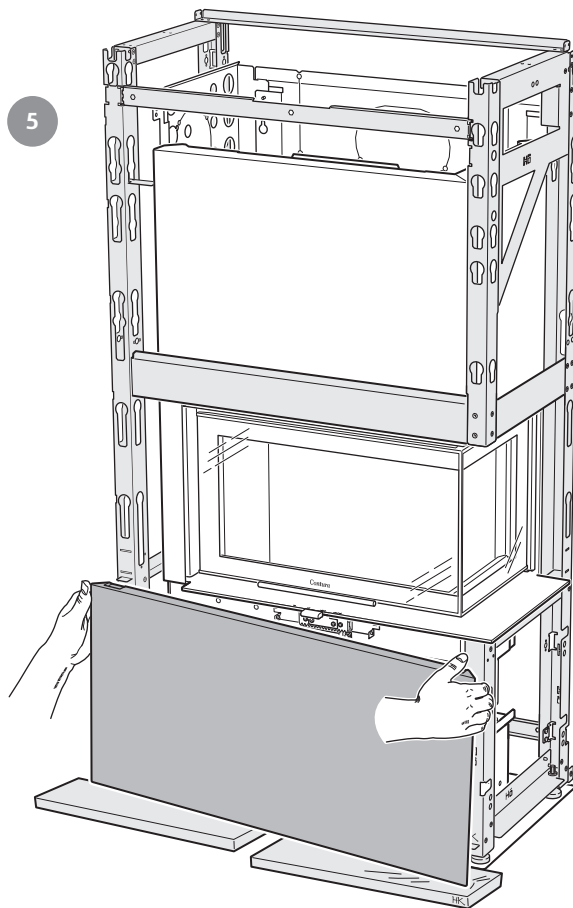
4

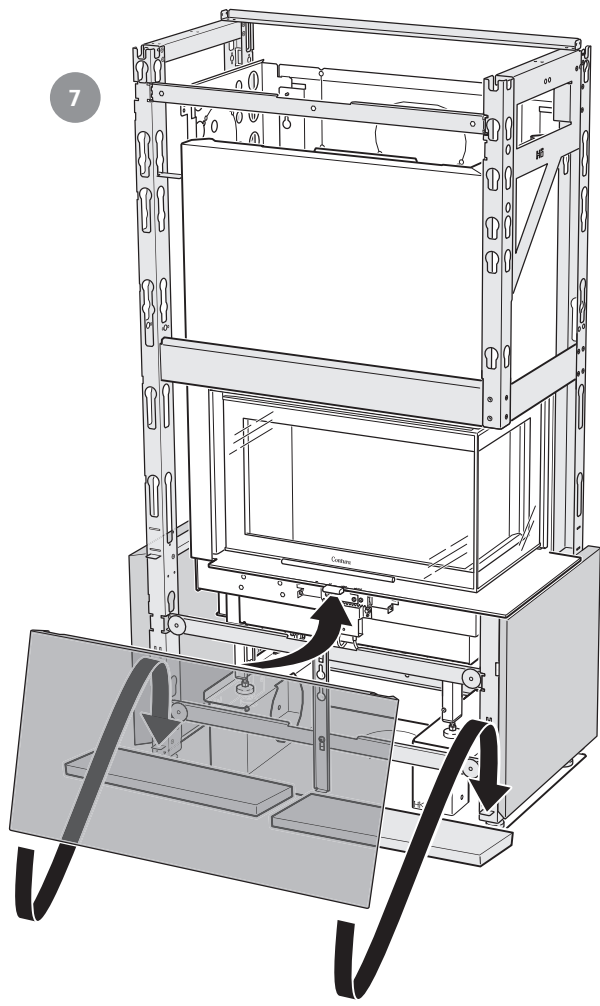


This panel can be removed for servicing. Lock it in place by inserting two screws through the moving catch (A) in the front panel. Do not tighten the screws - it must be possible to be move the catch upwards to detach the panel.

x 2  
M6 x 20  
Allen screw 4

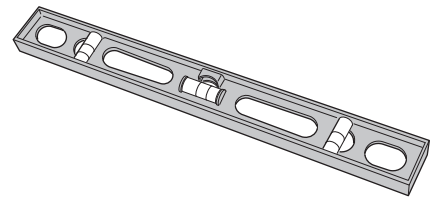
When the front panel is correctly positioned in the depth direction, it must be lowered again for the installation of the side panels. Beware of the corners!



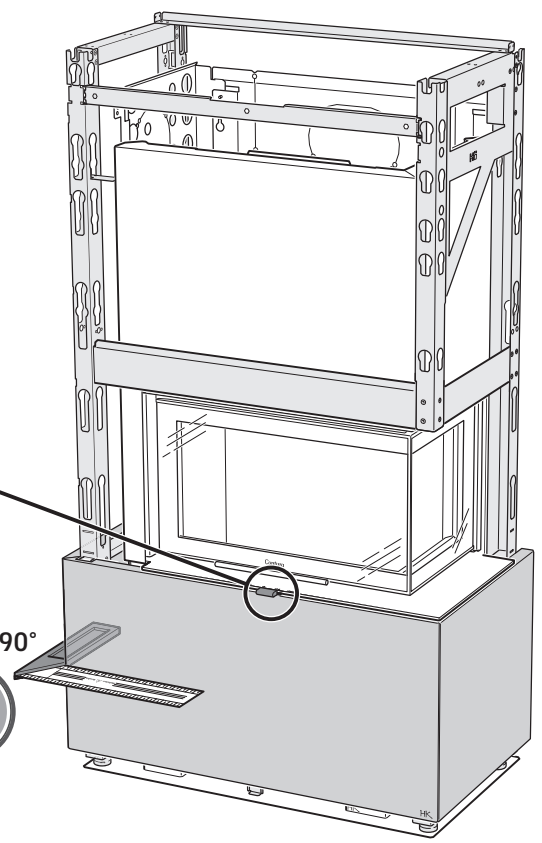
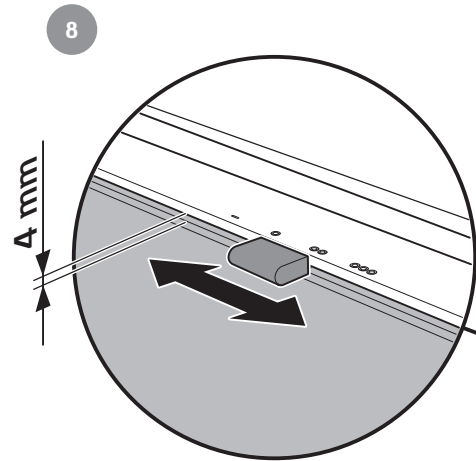


Check that the top of the stones are level using a spirit level. Use supplied shims if necessary. Carry out on the remaining stone sections.

Place a foam sheet on the floor to prevent the stone corners from becoming damaged when handling.



Shims



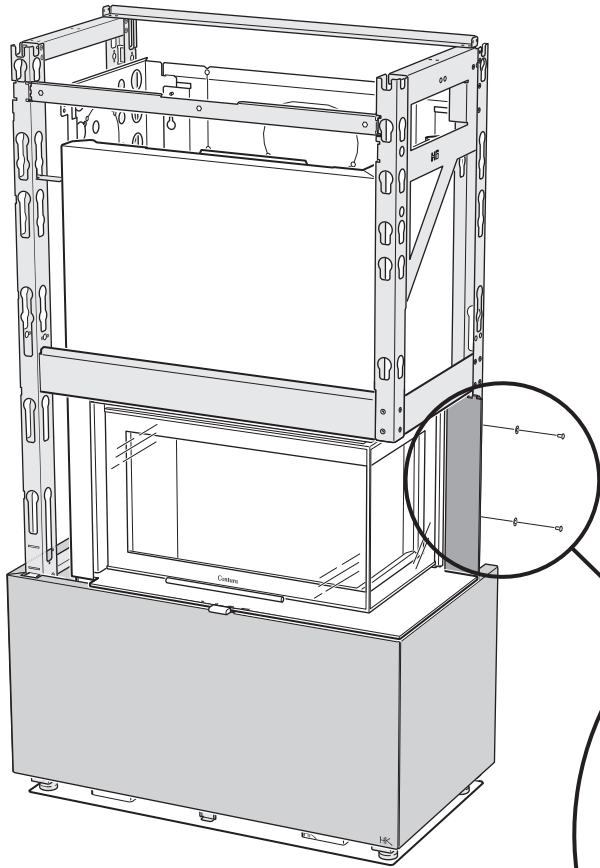
Ensure that there is a 4 mm gap between the stone and insert so that the damper can move freely.

Without Shelf / Bench

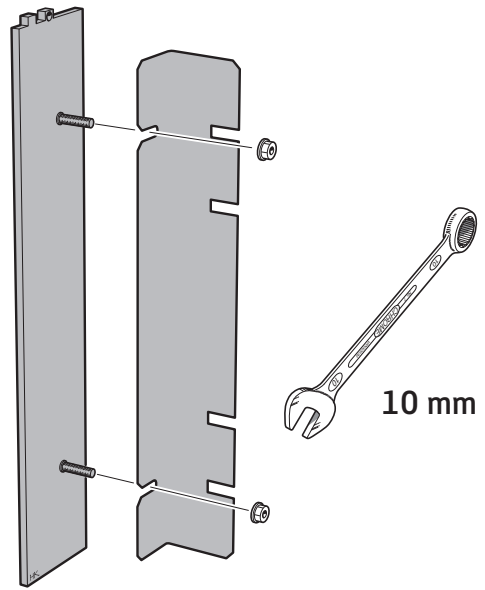
With Shelf

With Bench

10

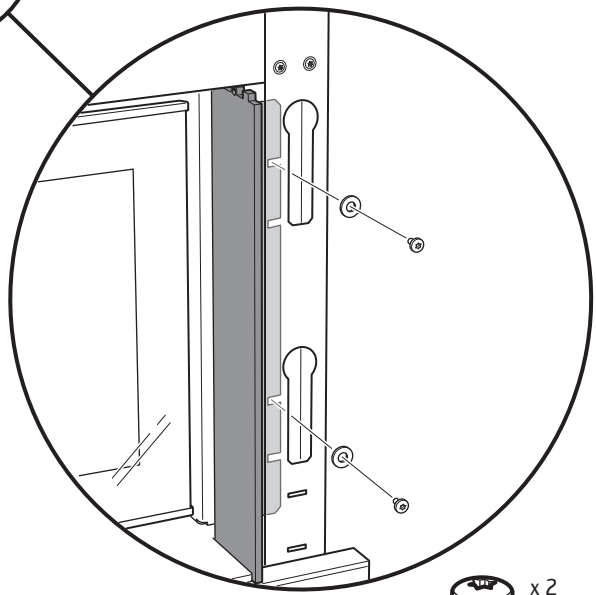
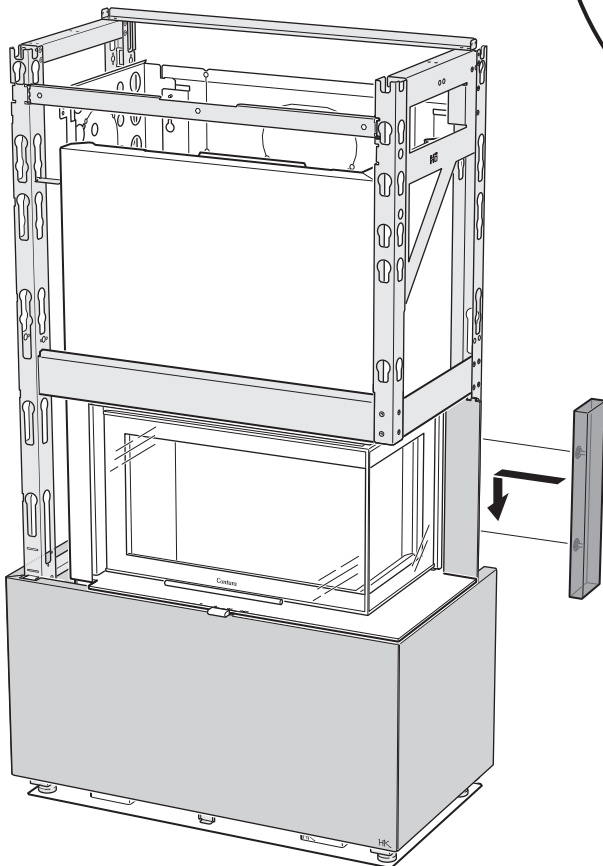


9

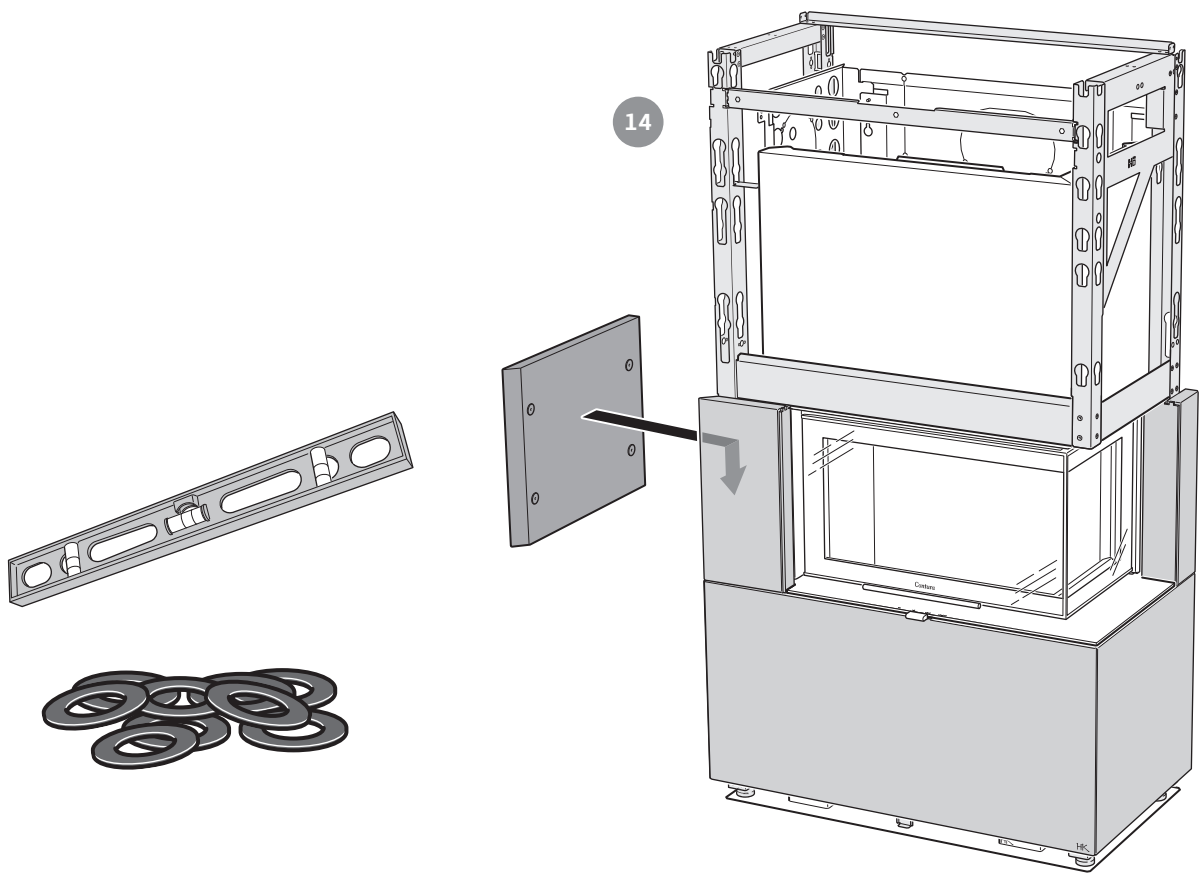
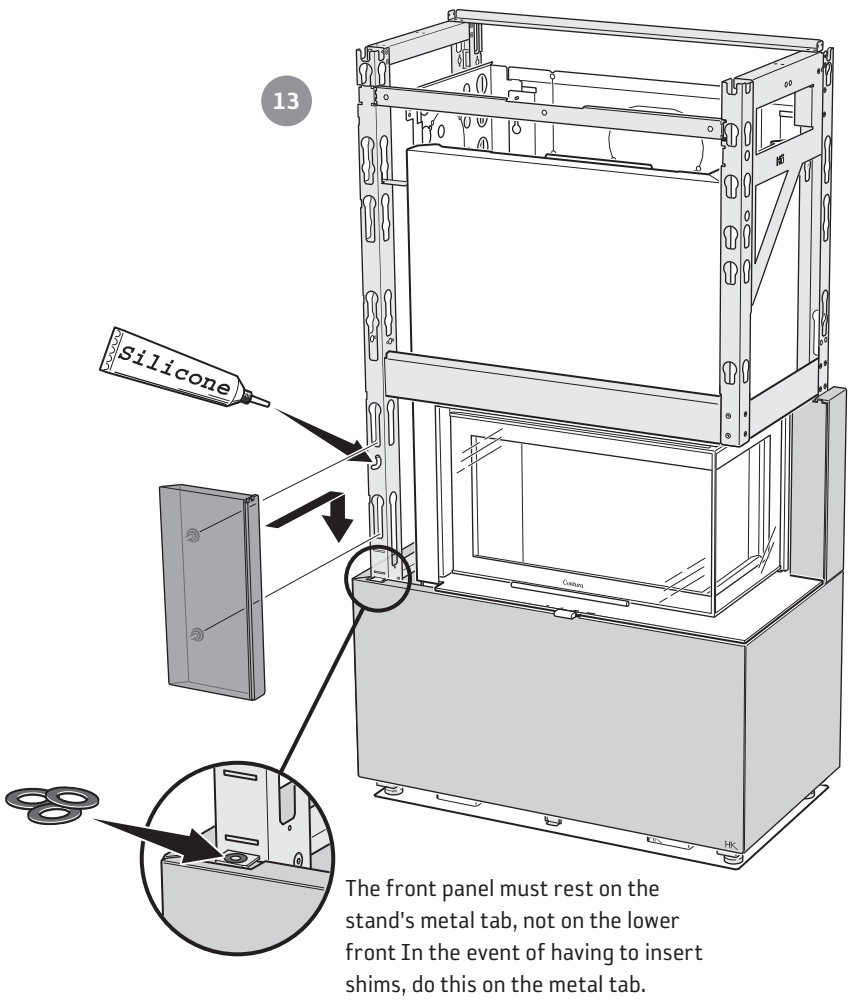
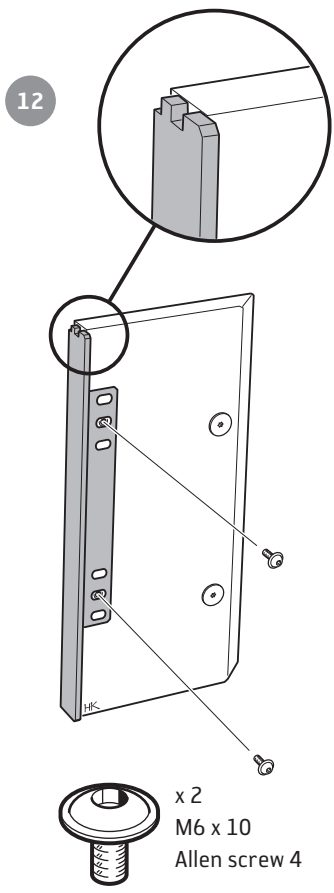


10 mm

11



x 2  
M5 x 9  
T25

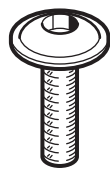
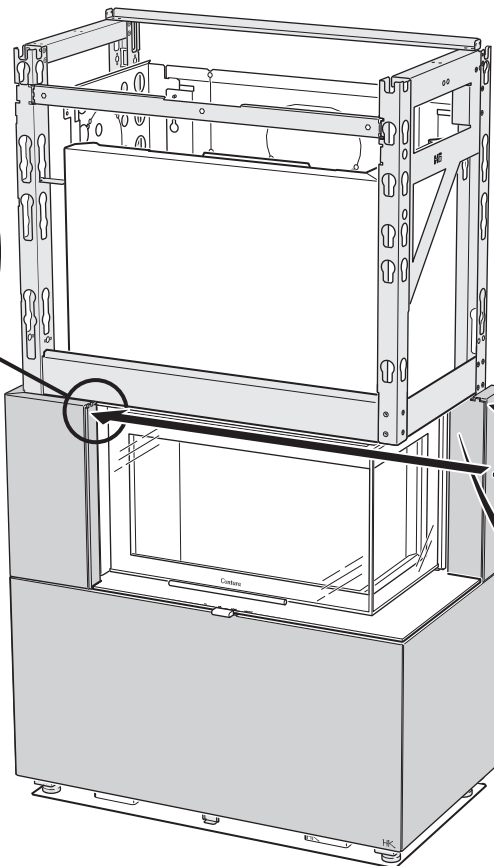
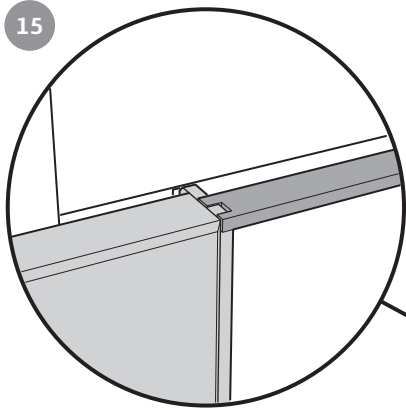


Without Shelf / Bench

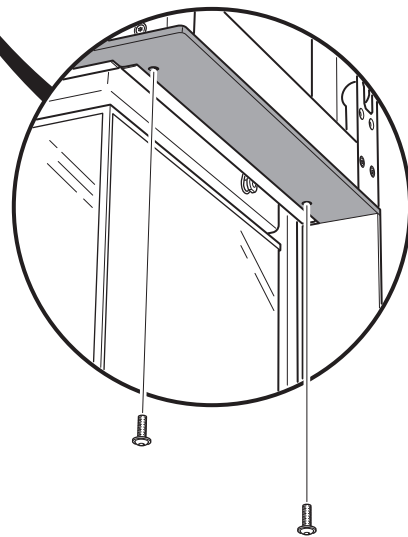
With Shelf

With Bench

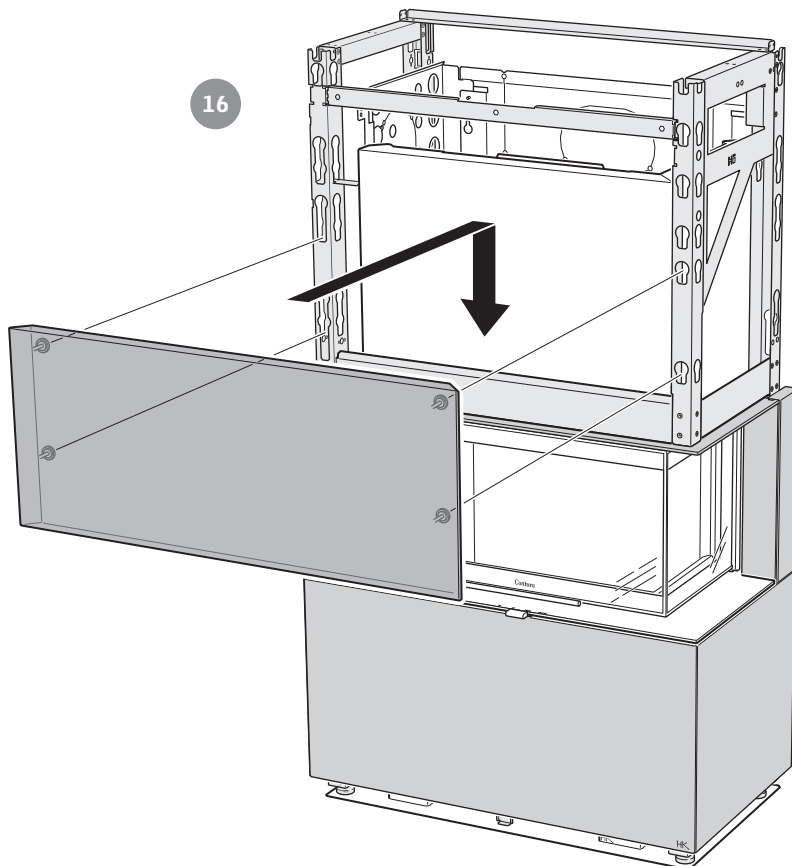
15



x 2  
M6 x 20  
Allen screw 4



16



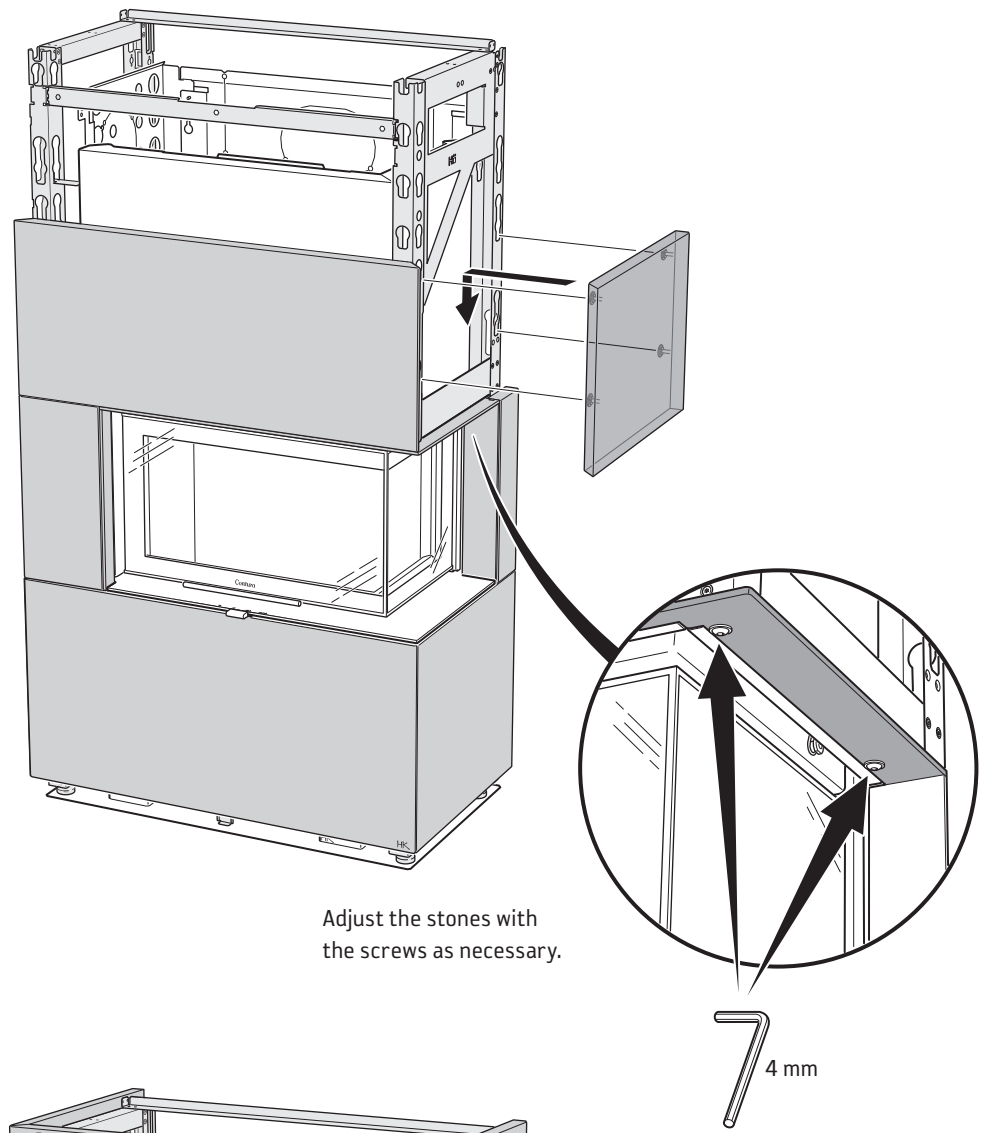
Without Shelf / Bench

With Shelf

With Bench

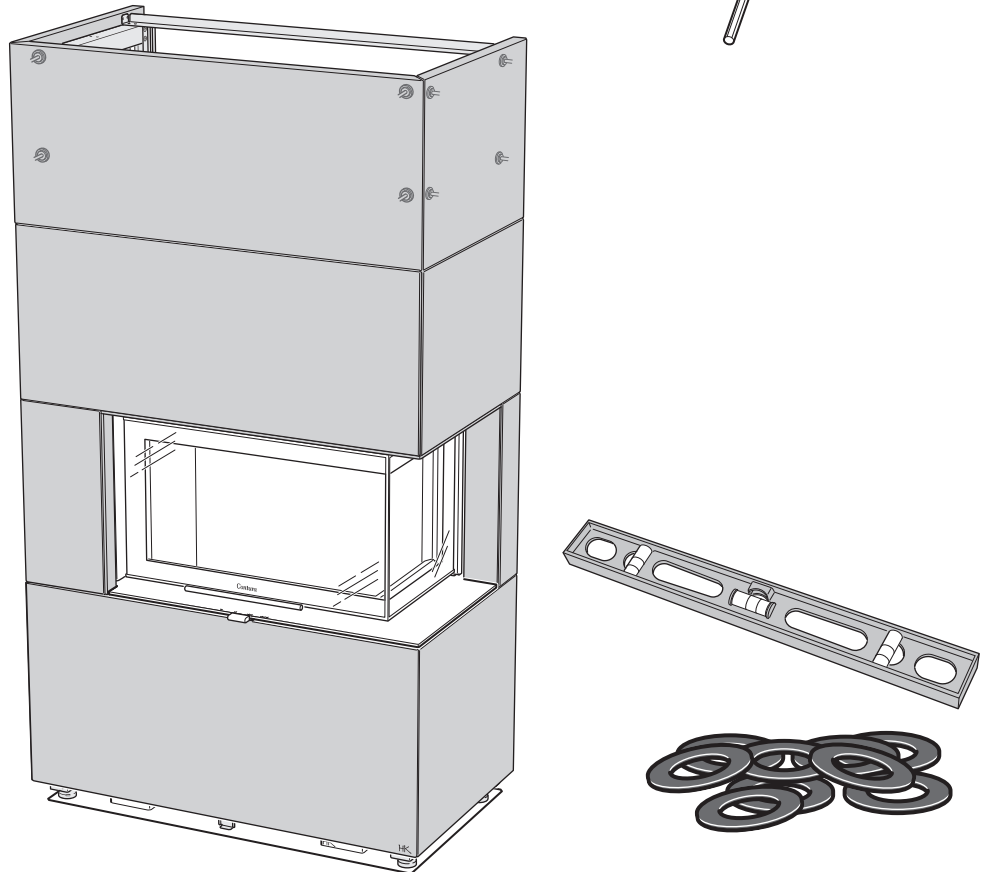


17



Adjust the stones with the screws as necessary.

18



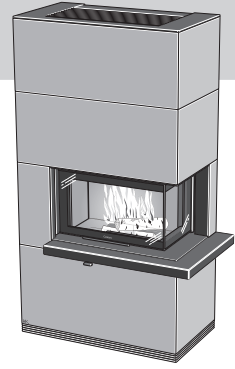
Final installation:  
See page 273

Without Shelf / Bench

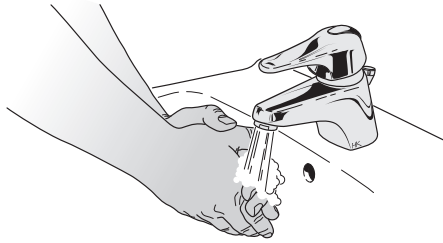
With Shelf

With Bench

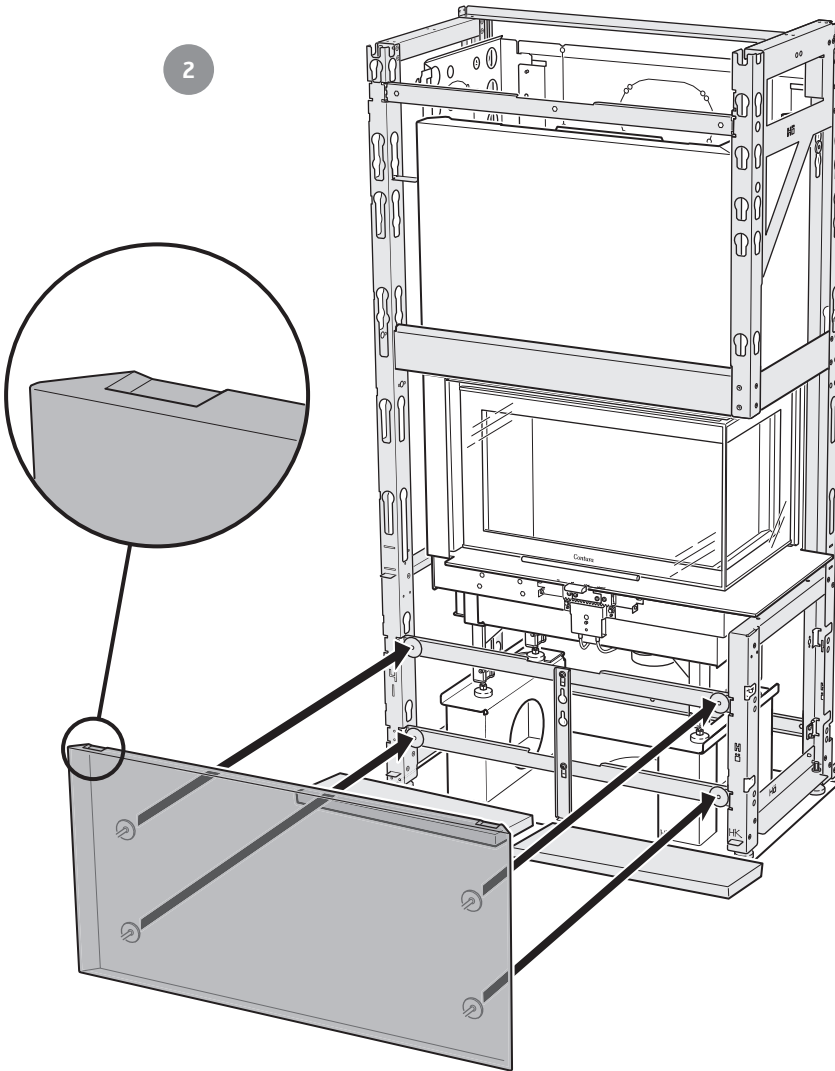
## Assembling the surround - with shelf



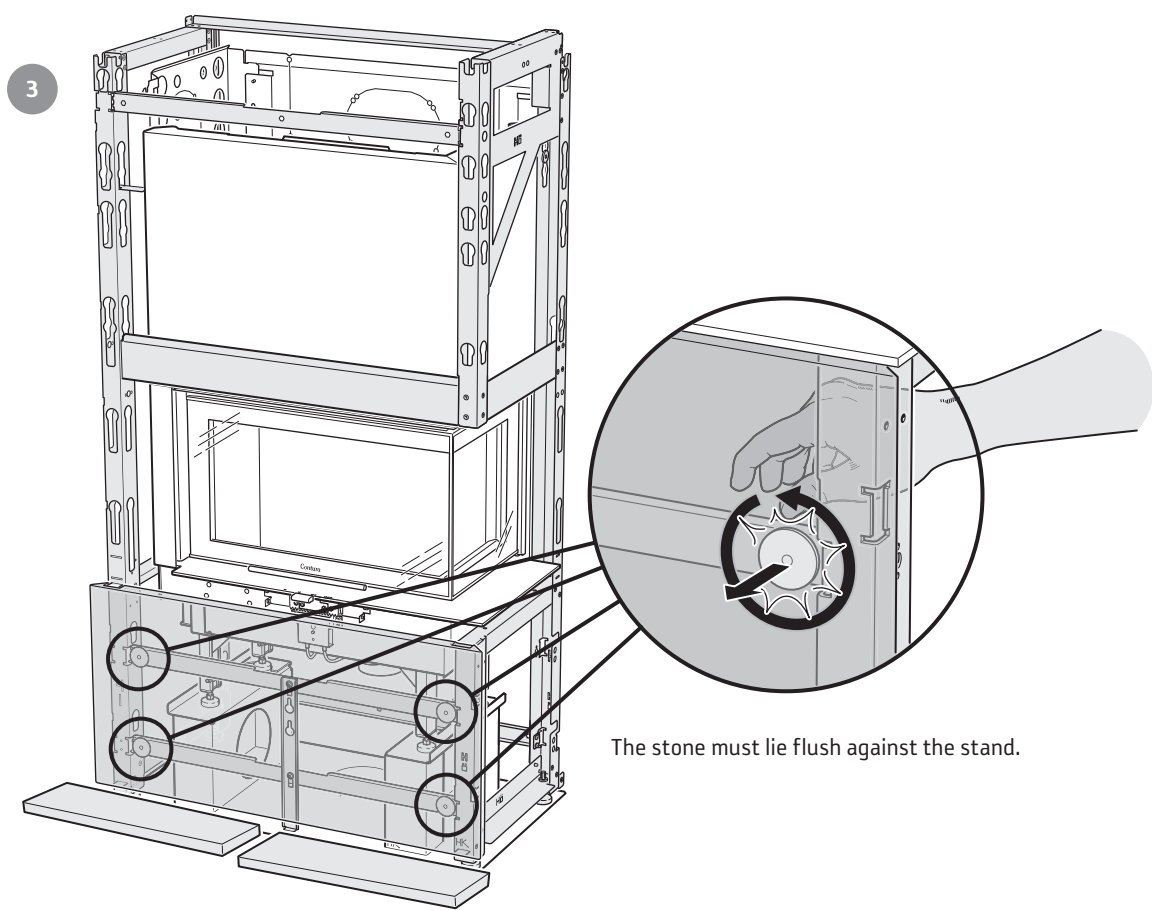
1



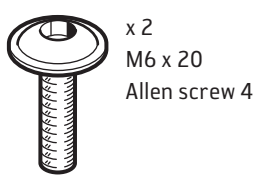
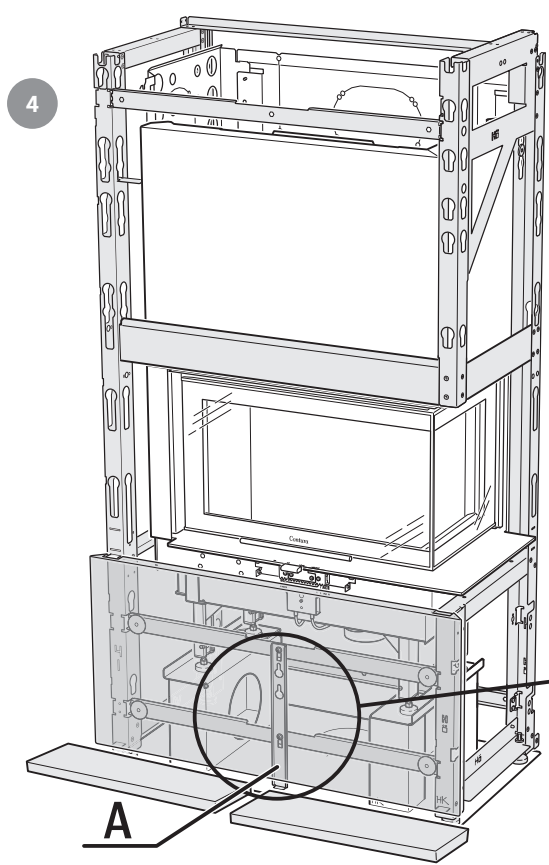
2



Place a foam sheet on the floor to prevent the stone corners from becoming damaged when handling.

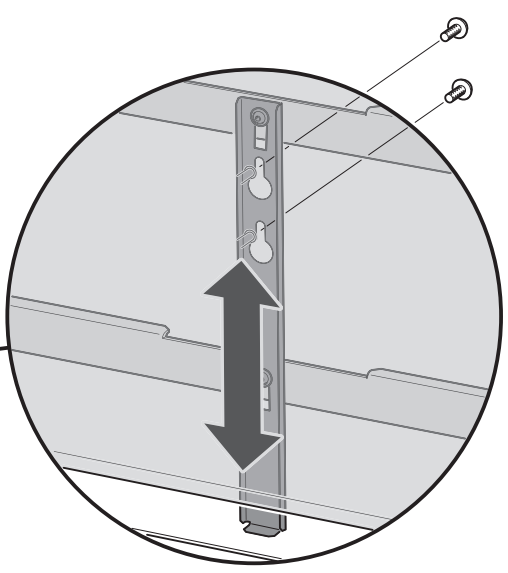


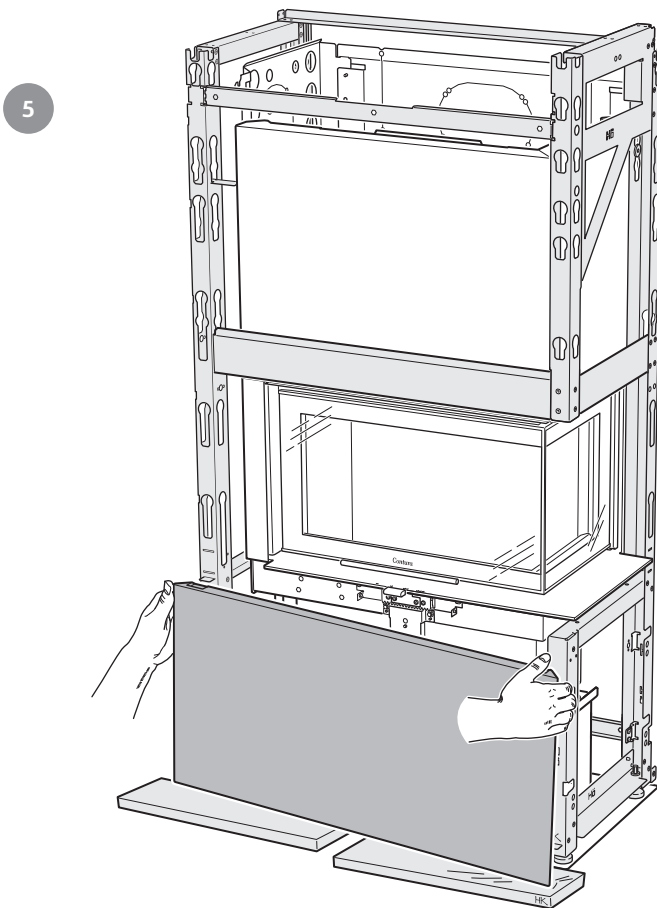
The stone must lie flush against the stand.



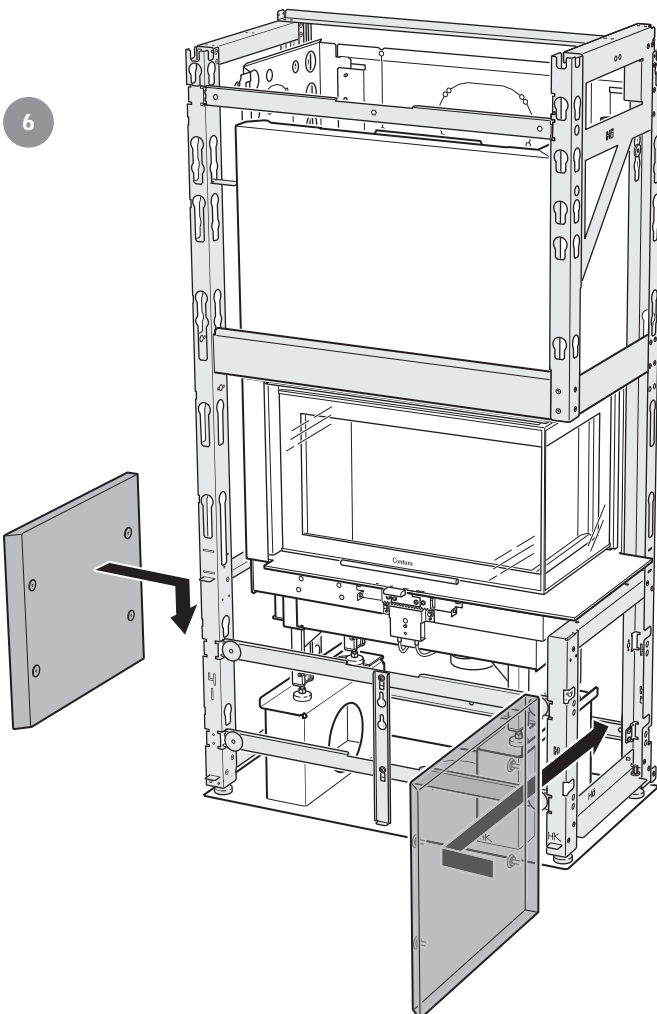
x 2  
M6 x 20  
Allen screw 4

This panel can be removed for servicing. Lock it in place by inserting two screws through the moving catch (A) in the front panel. Do not tighten the screws - it must be possible to move the catch upwards to detach the panel.

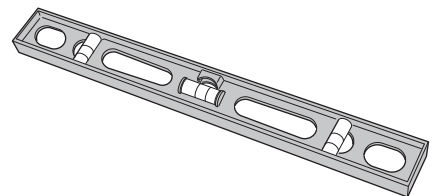




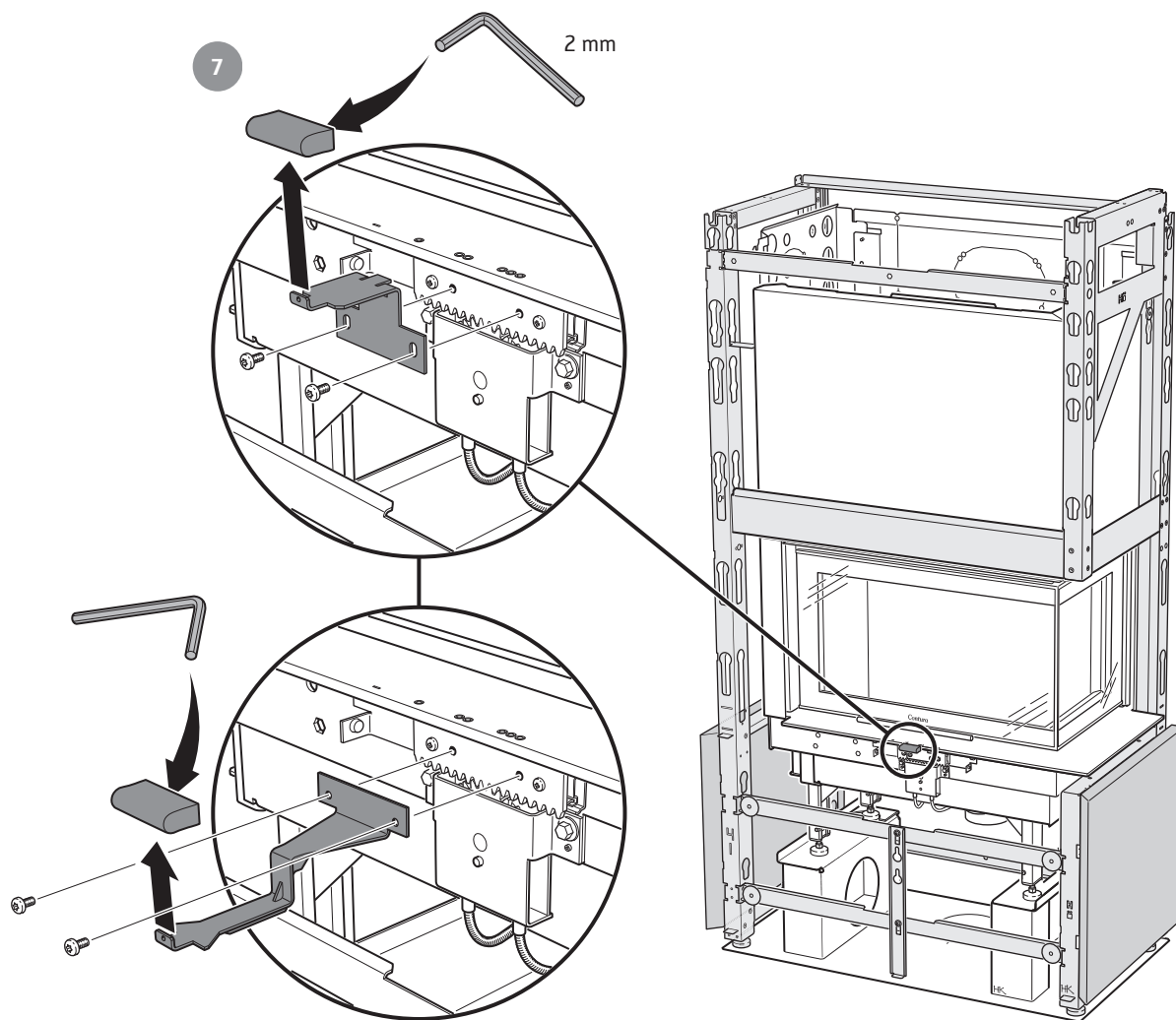
When the front panel is correctly positioned in the depth direction, it must be lowered again for the installation of the side panels. Beware of the corners!



Check that the top of the stones are level using a spirit level. Use supplied shims if necessary. Carry out on the remaining stone sections.



Shims

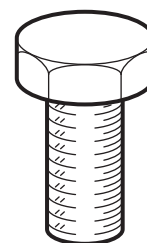
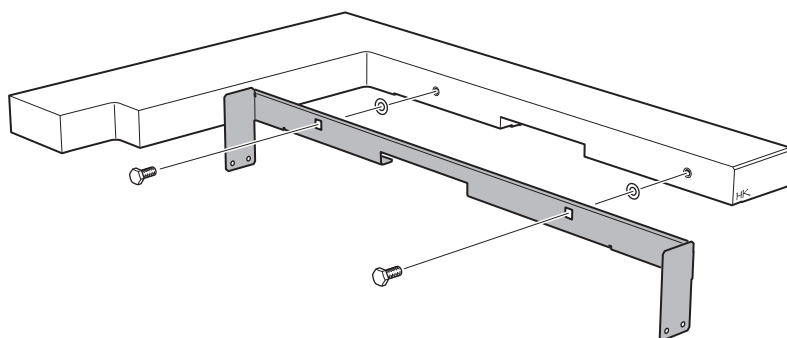


Without Shelf / Bench

With Shelf

With Bench

8



x 2  
M10 x 20  
Allen 16 mm

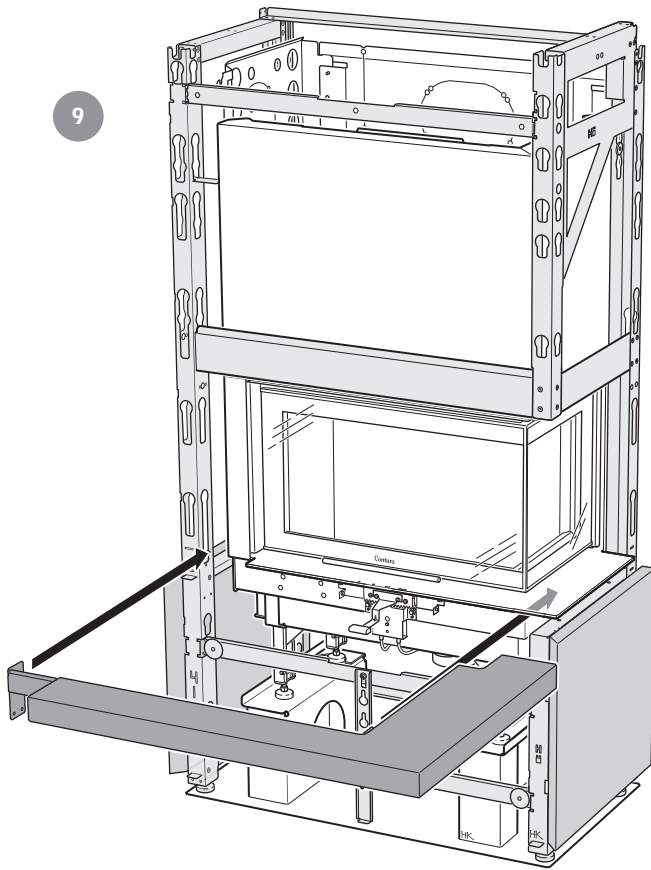
Do not tighten the screws completely in order to allow some lateral adjustment of the shelf after installation.

Without Shelf / Bench

With Shelf

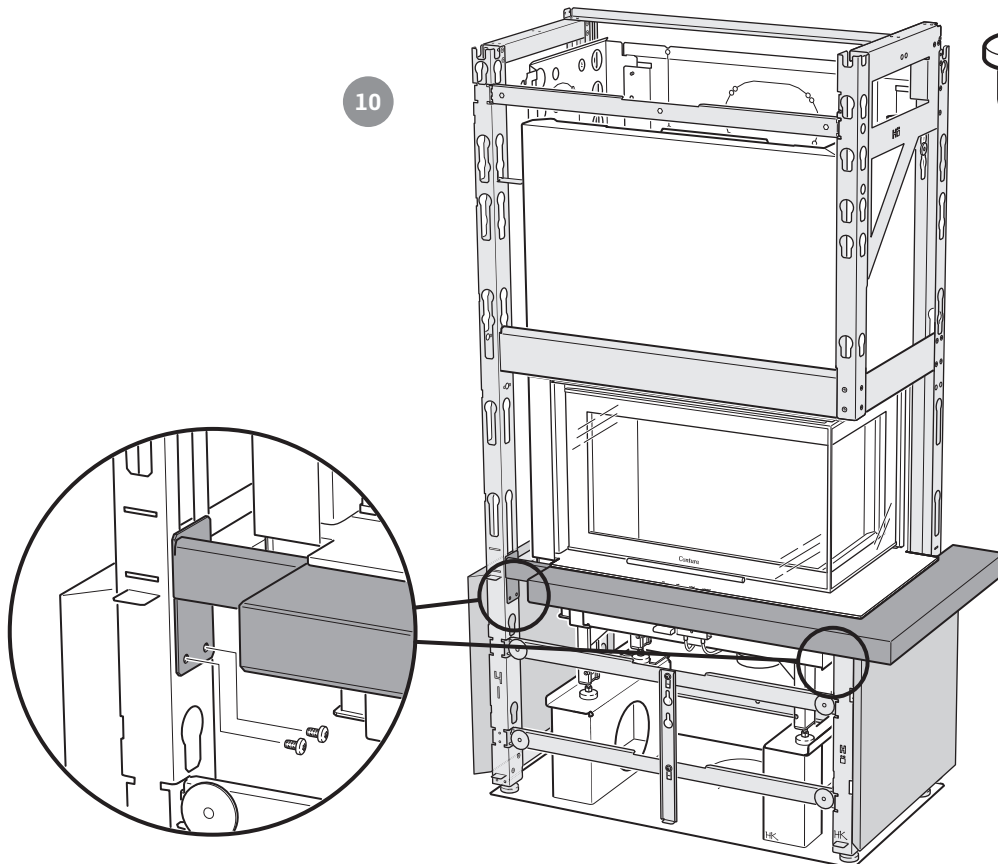
With Bench

9

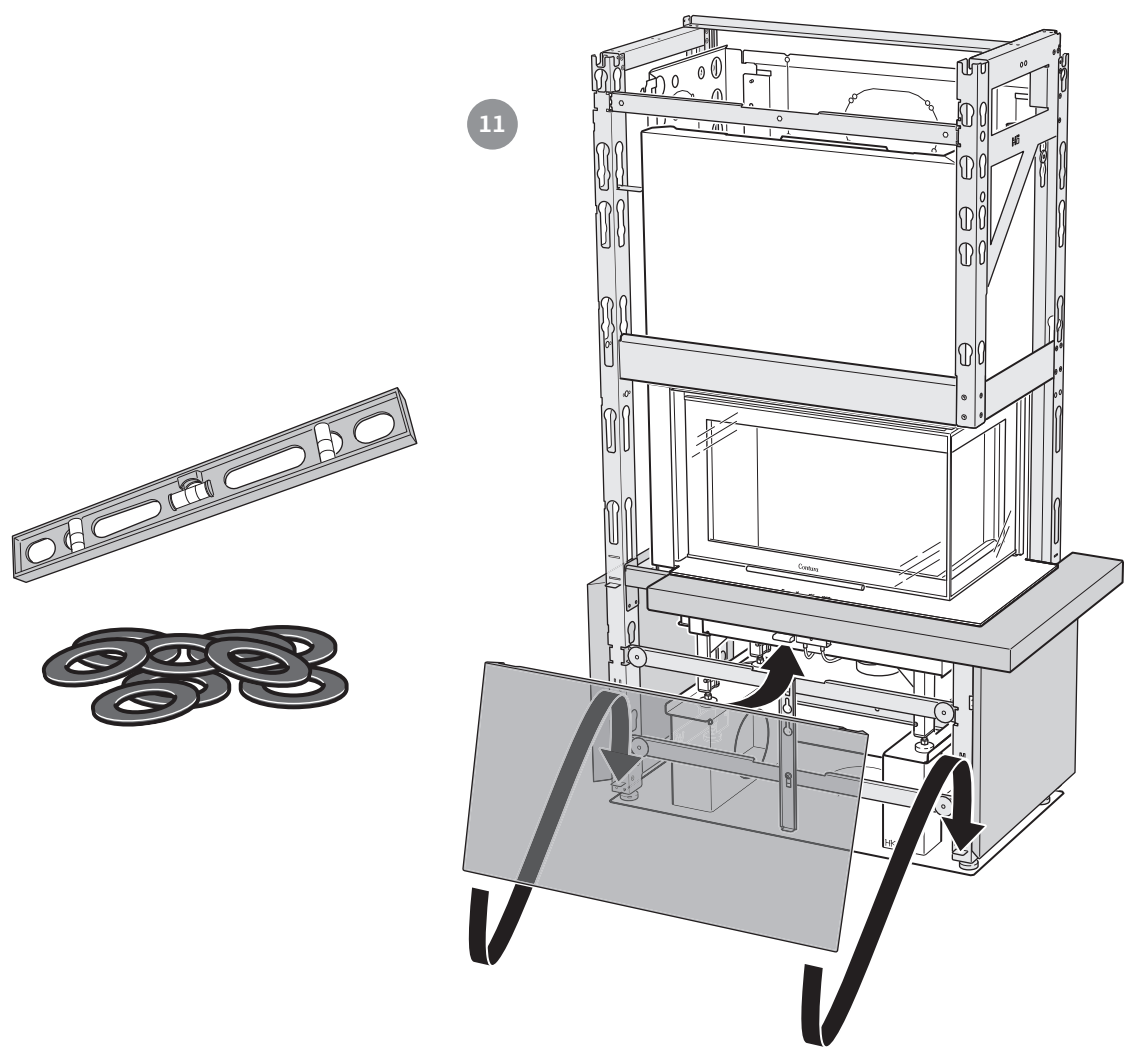


10

x 4  
M5 x 9  
T25

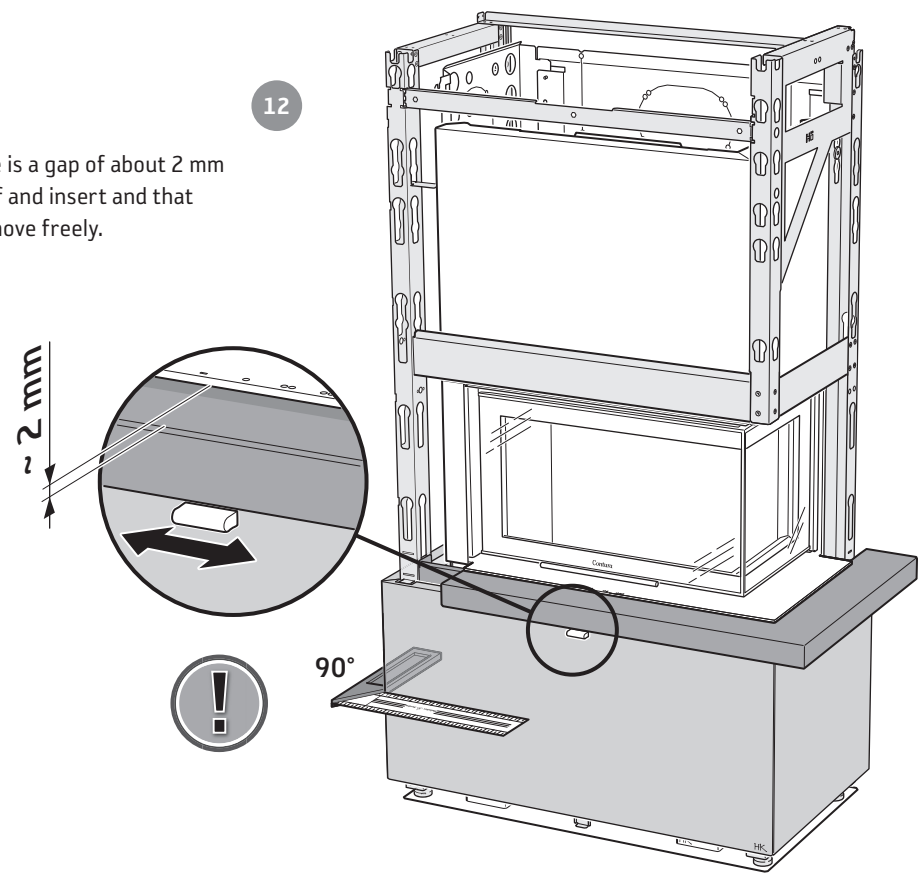


11



12

Ensure that there is a gap of about 2 mm between the shelf and insert and that the damper can move freely.



Without Shelf / Bench

With Shelf

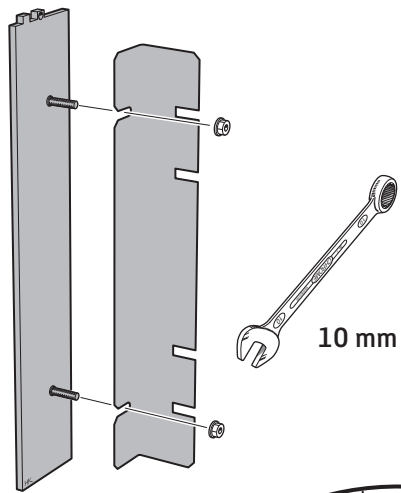
With Bench

Without Shelf / Bench

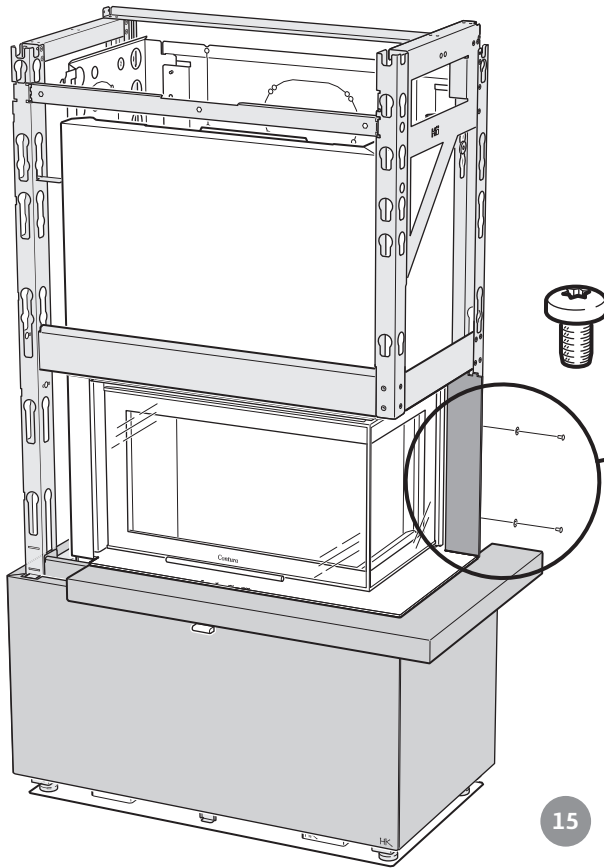
With Shelf

With Bench

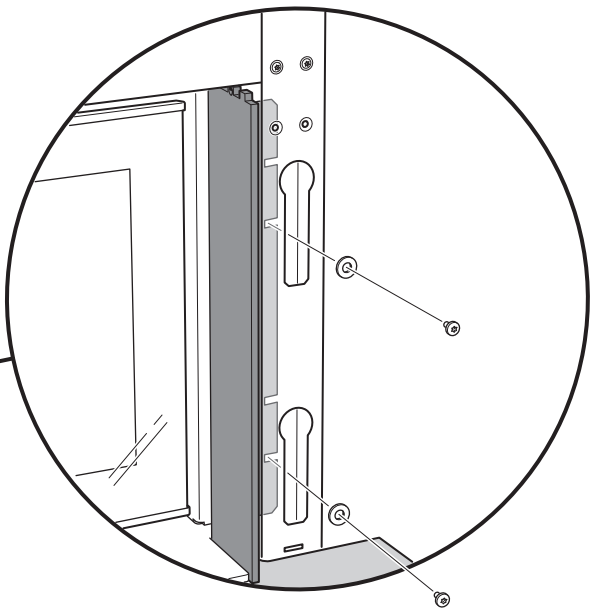
13



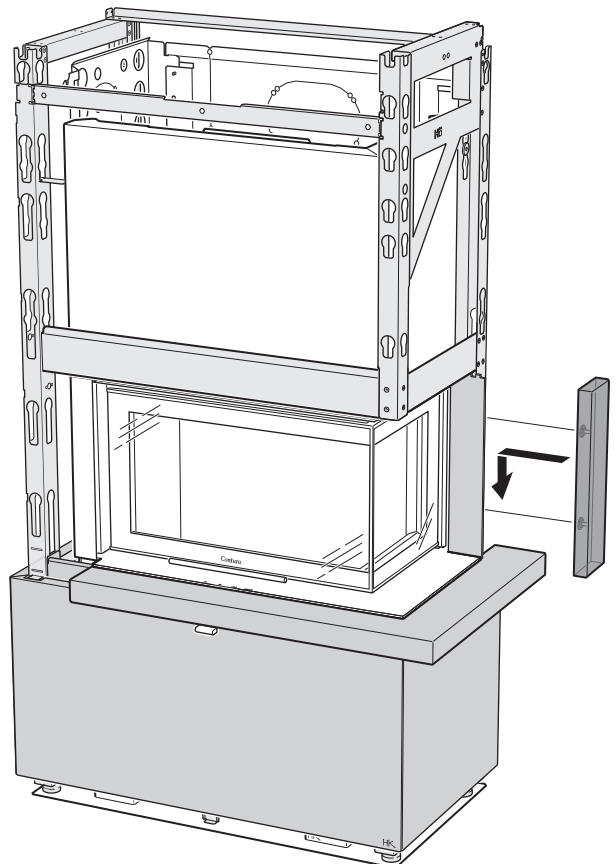
14



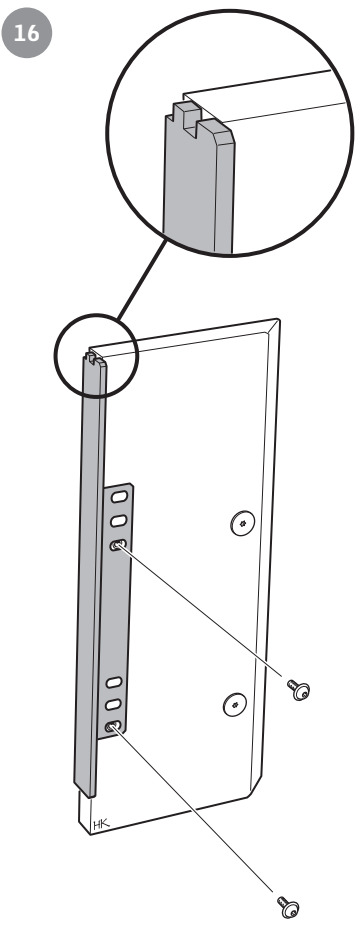
x 2  
M5 x 9  
T25



15



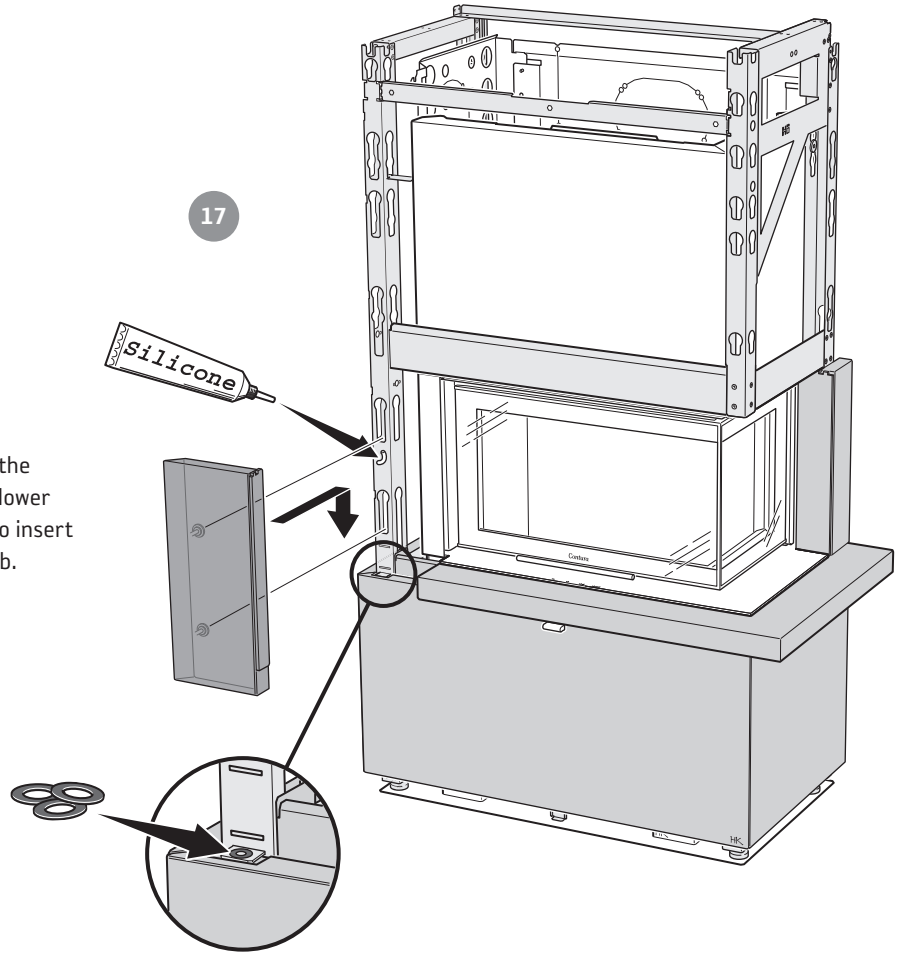




x 2  
M6 x 10  
Allen screw 4

17

The front panel must rest on the stand's metal tab, not on the lower front. In the event of having to insert shims, do this on the metal tab.

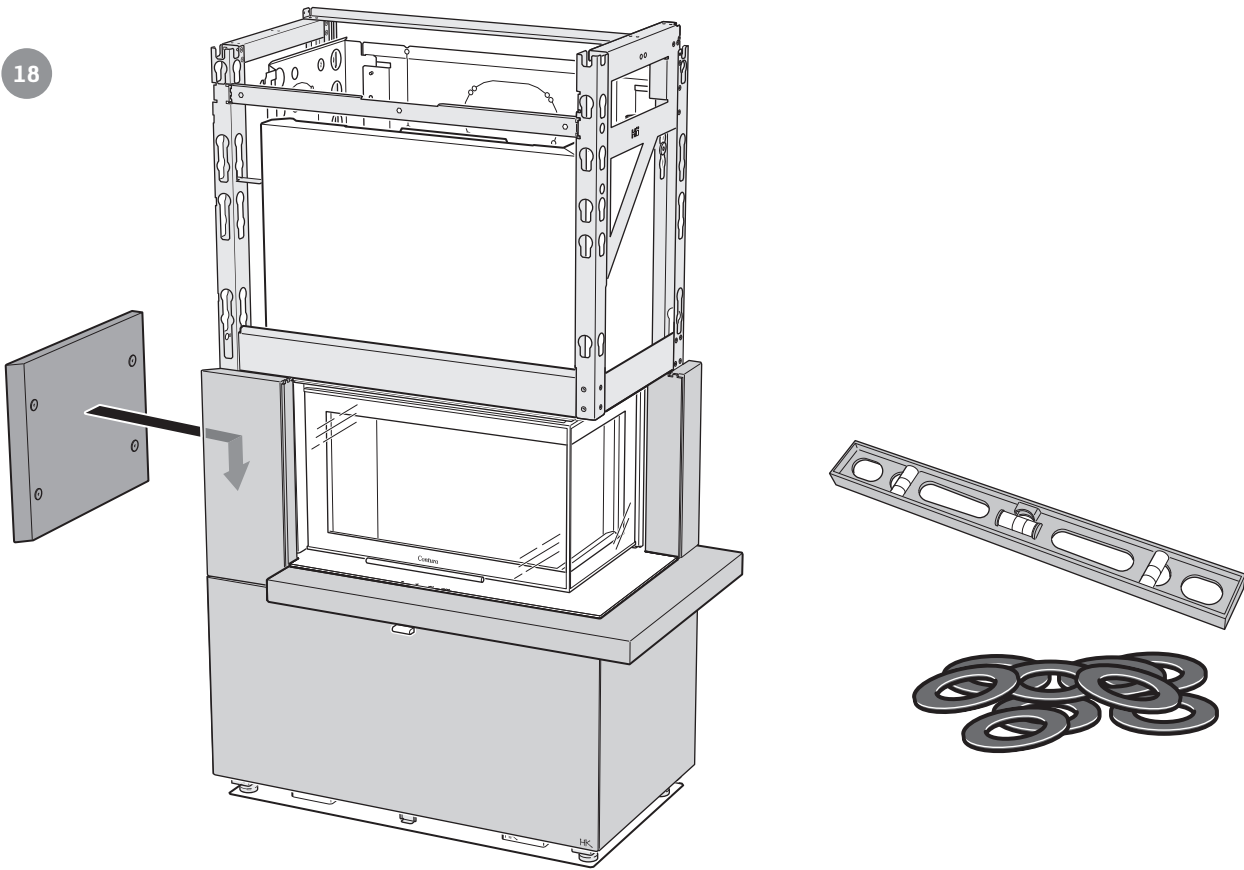


Without Shelf / Bench

With Shelf

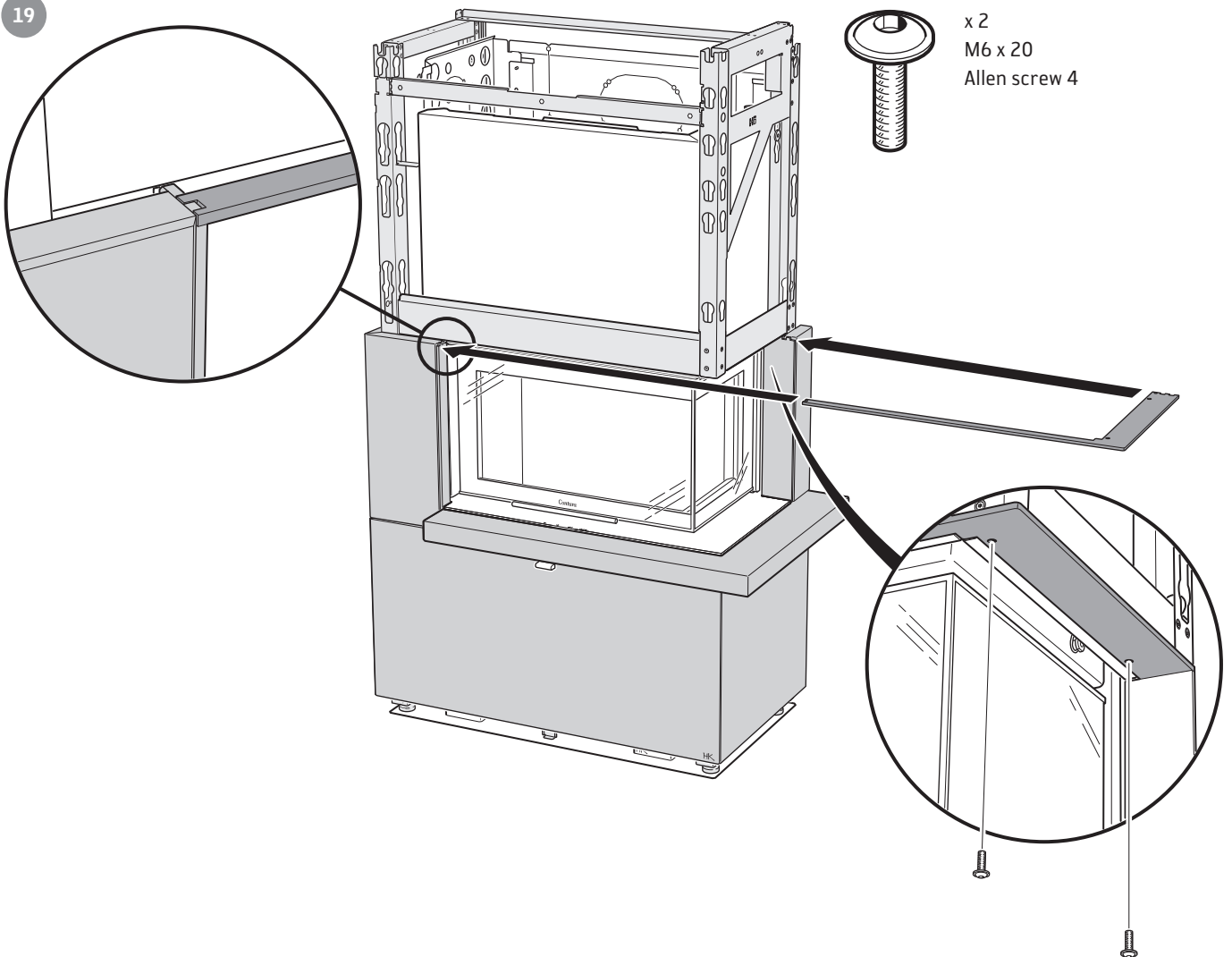
With Bench

18



Without Shelf / Bench

19



x 2  
M6 x 20  
Allen screw 4

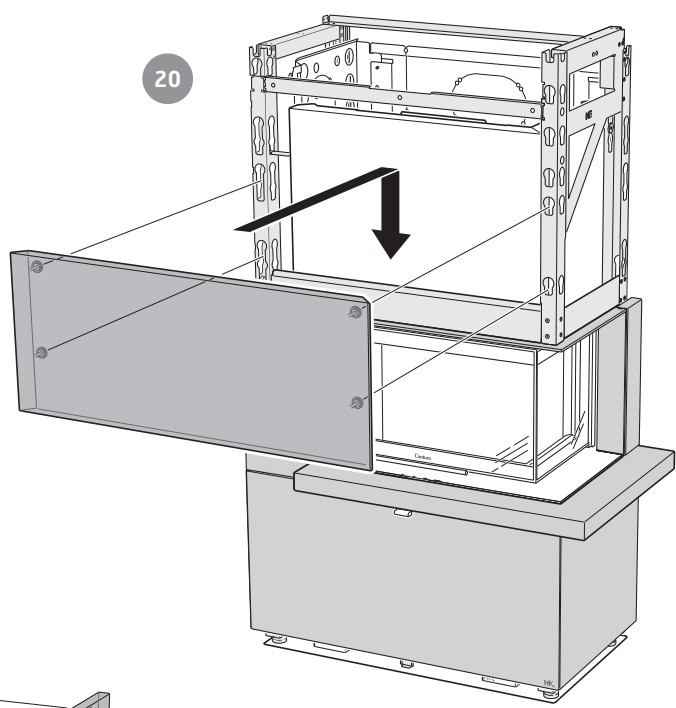
With Shelf

With Bench

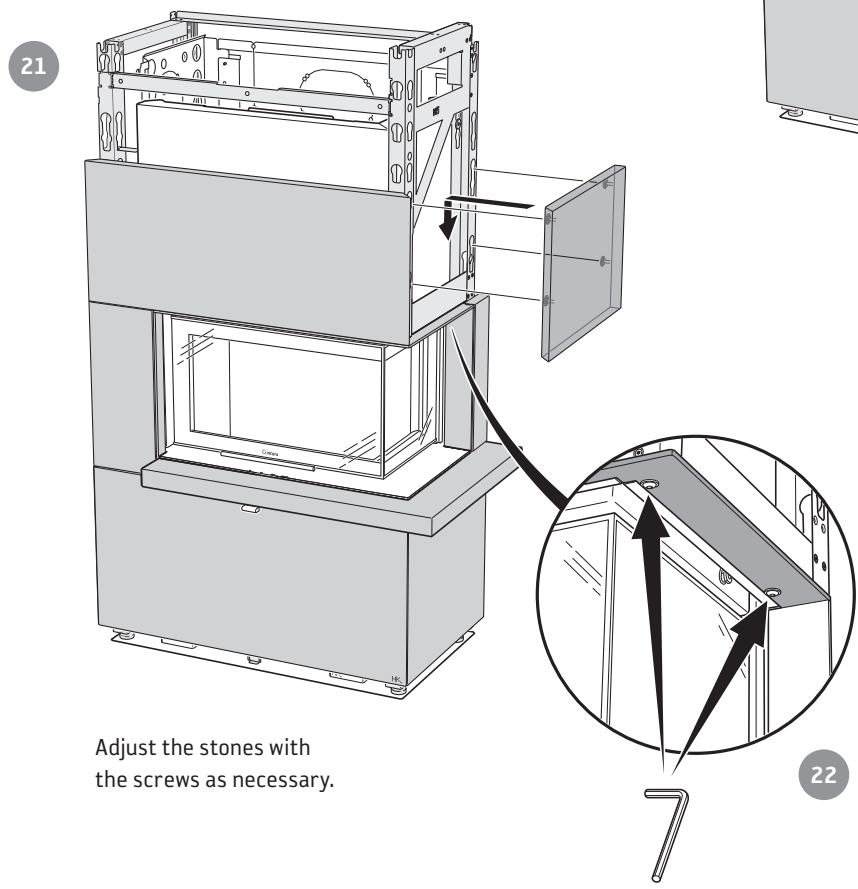
Without Shelf / Bench

With Shelf

With Bench



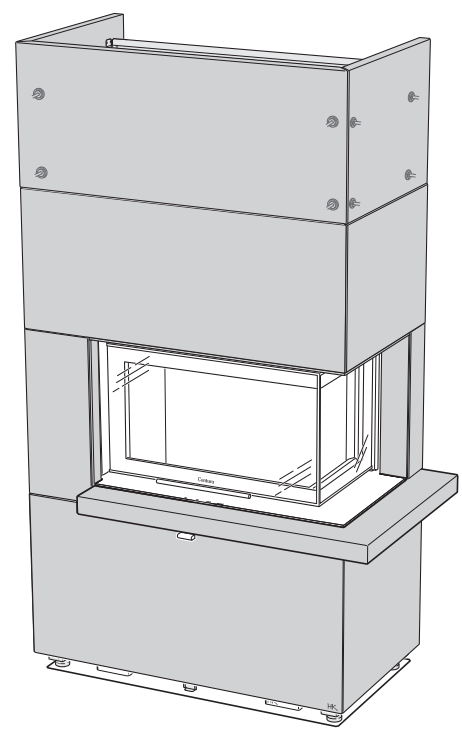
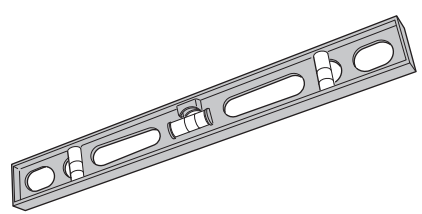
20



21

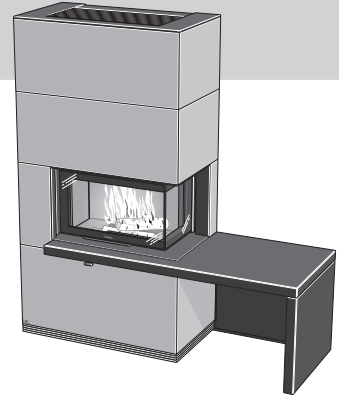
22

Adjust the stones with the screws as necessary.



**Final installation:**  
See page 273

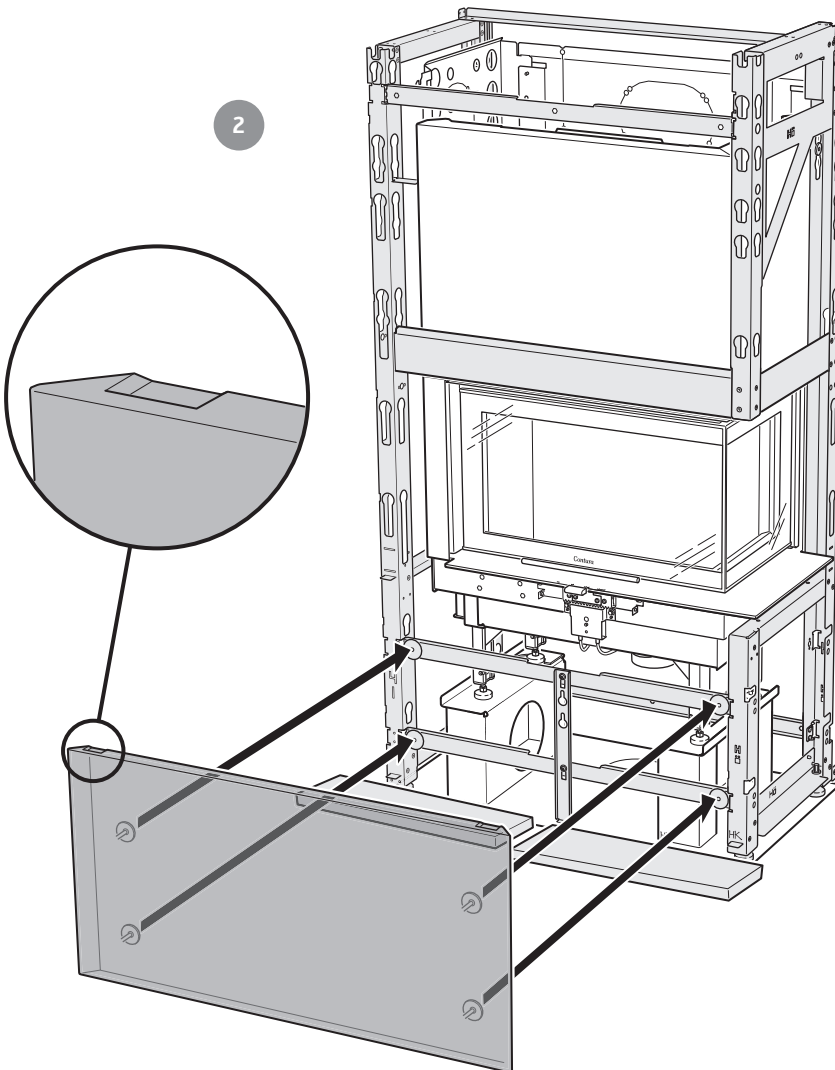
## Assembling the surround - with bench



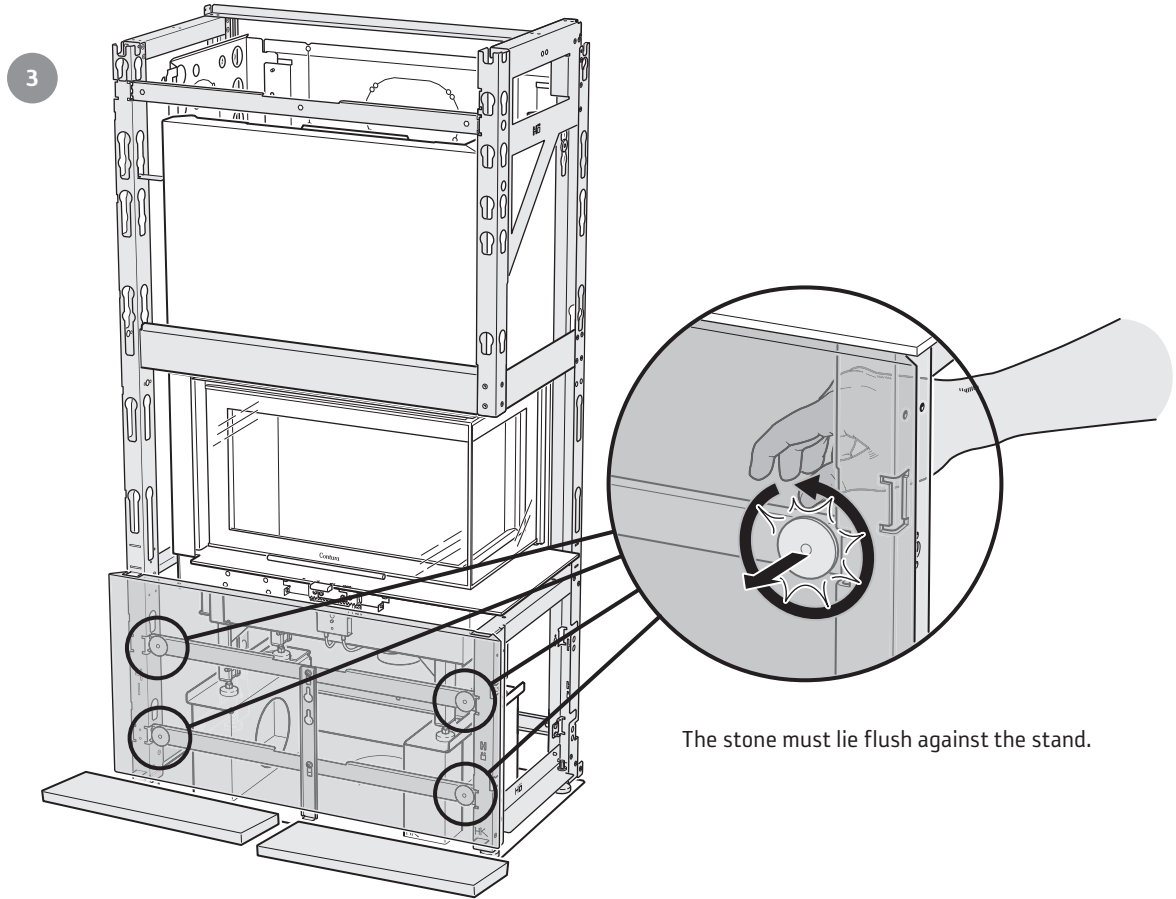
1



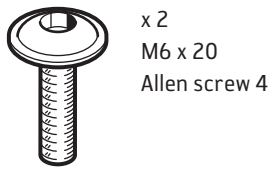
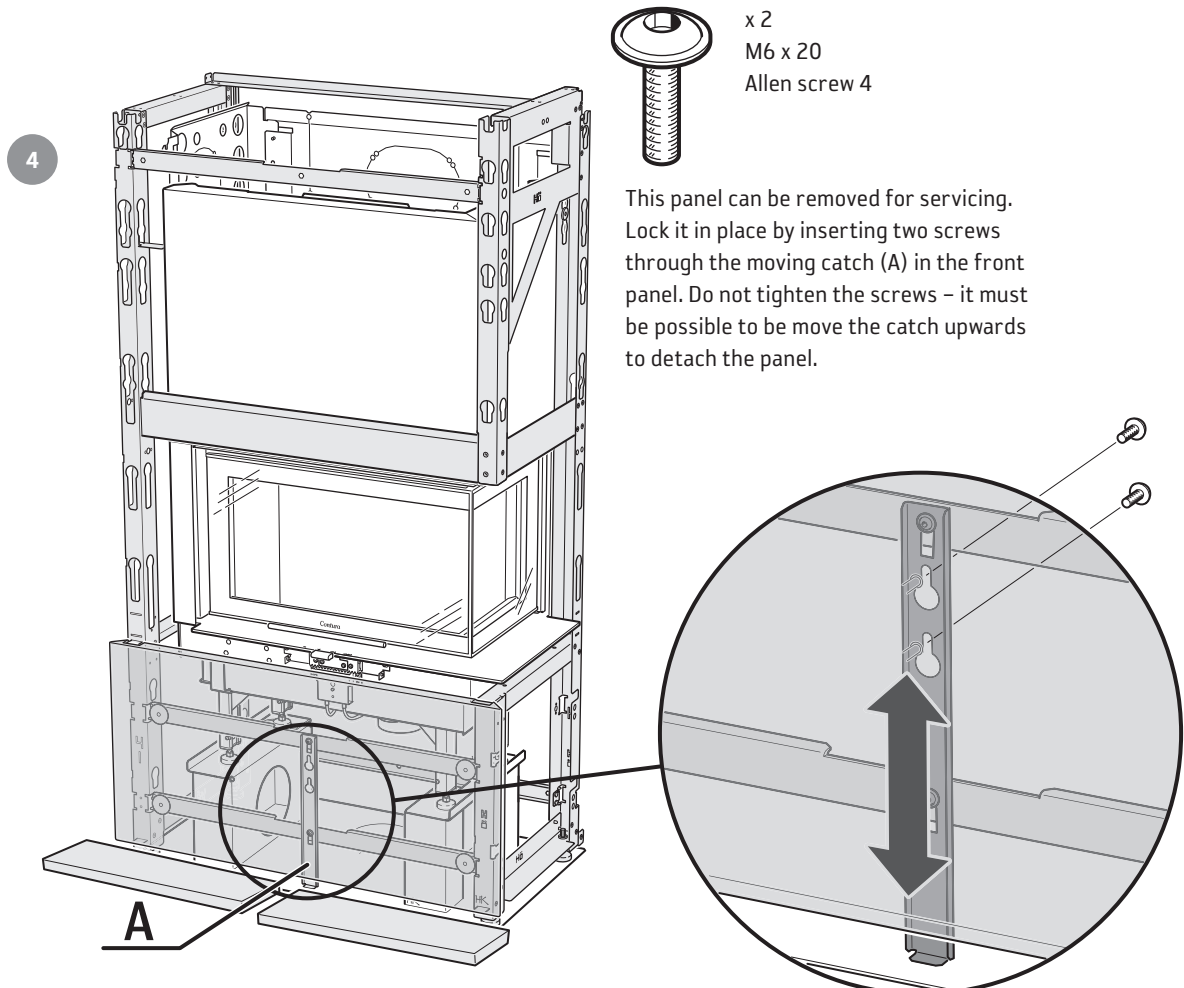
2



Place a foam sheet on the floor to prevent the stone corners from becoming damaged when handling.

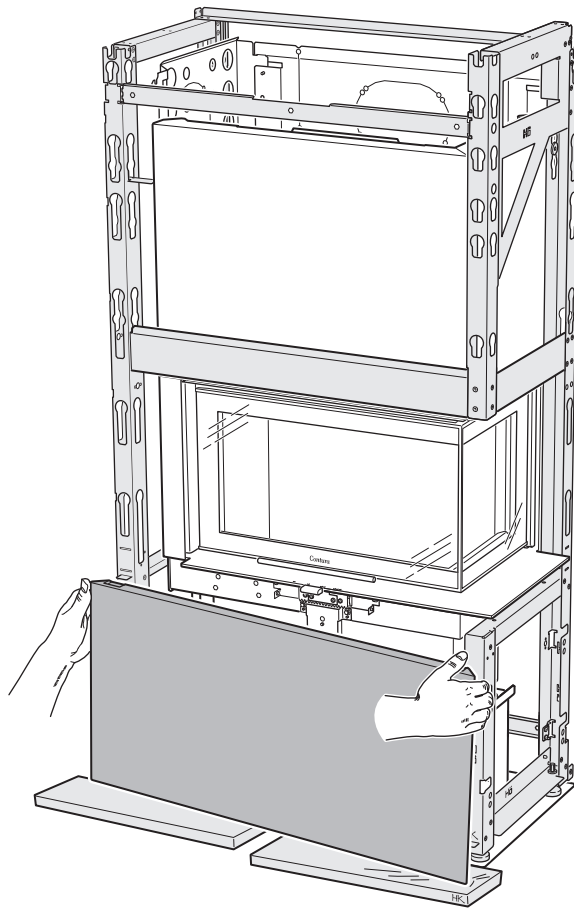


The stone must lie flush against the stand.



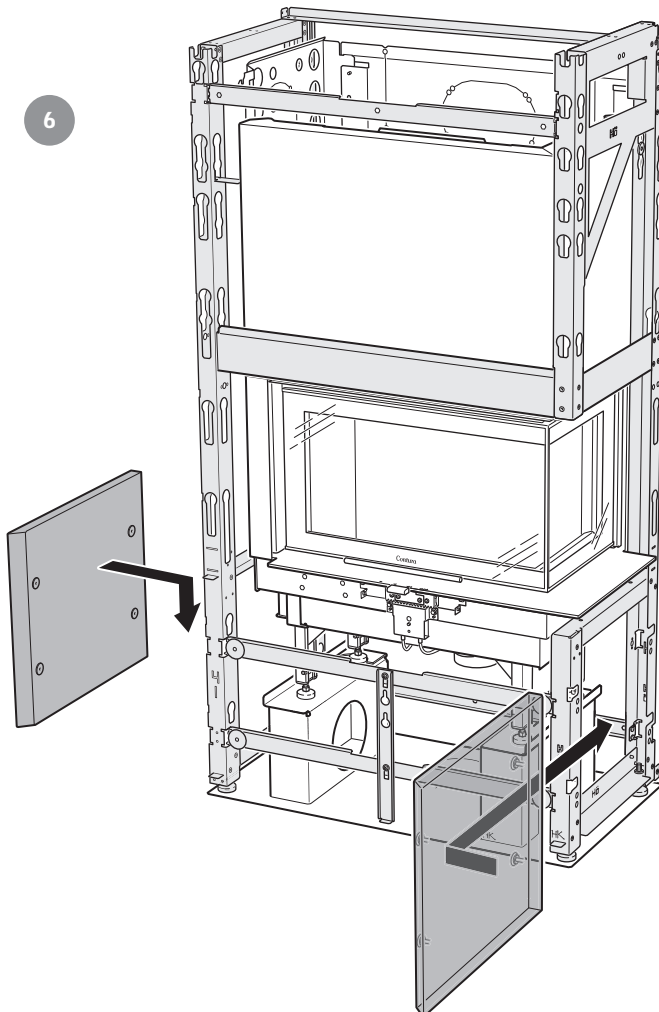
This panel can be removed for servicing. Lock it in place by inserting two screws through the moving catch (A) in the front panel. Do not tighten the screws – it must be possible to move the catch upwards to detach the panel.

5

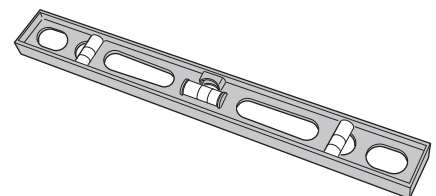


When the front panel is correctly positioned in the depth direction, it must be lowered again for the installation of the side panels. Beware of the corners!

6



Check that the top of the stones are level using a spirit level. Use supplied shims if necessary. Carry out on the remaining stone sections.

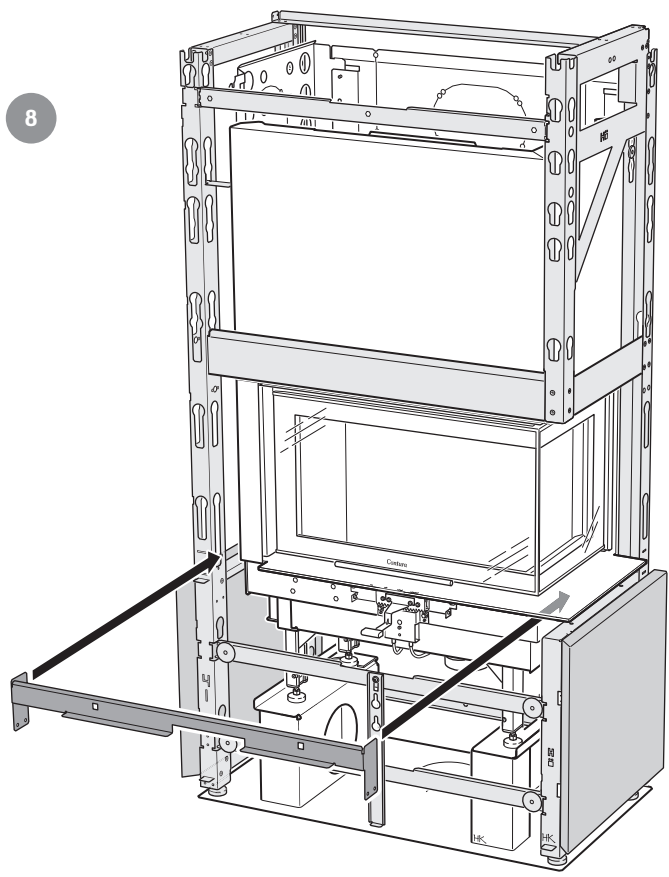
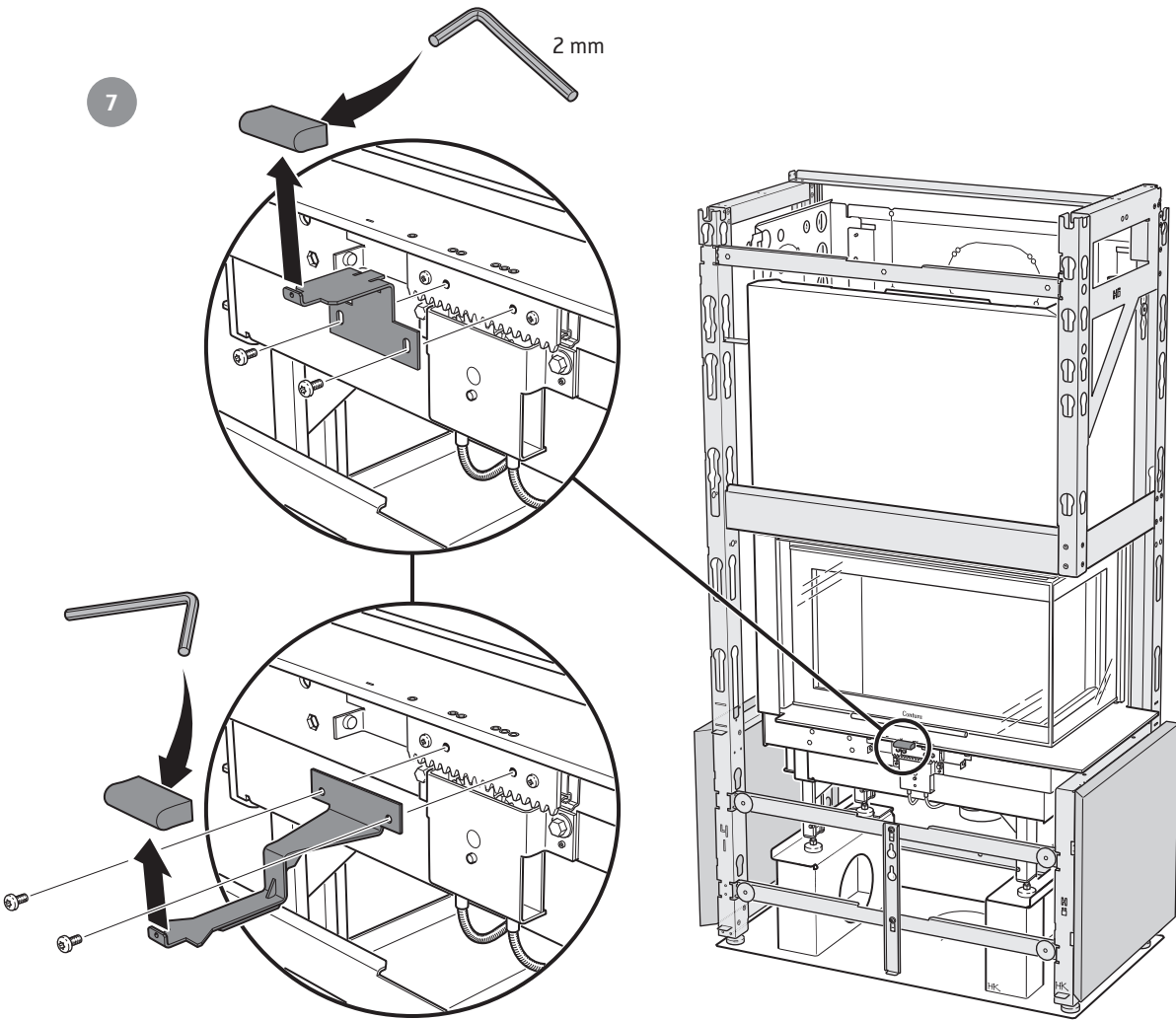


Shims

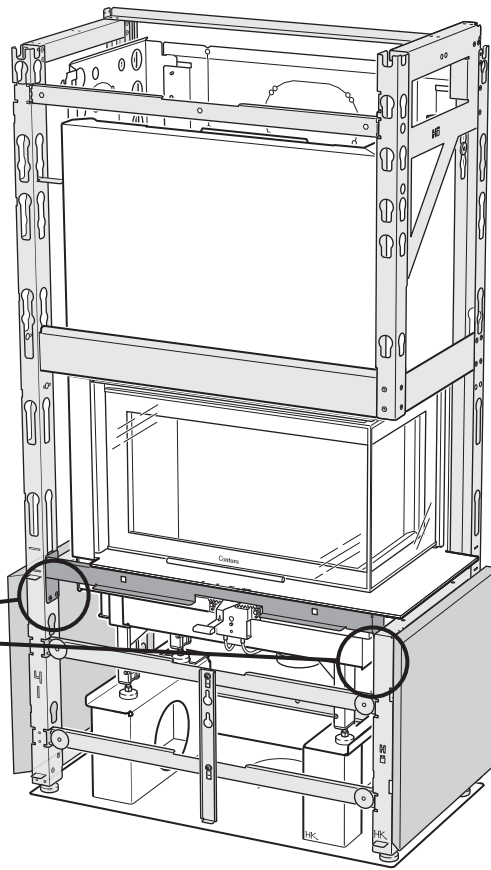
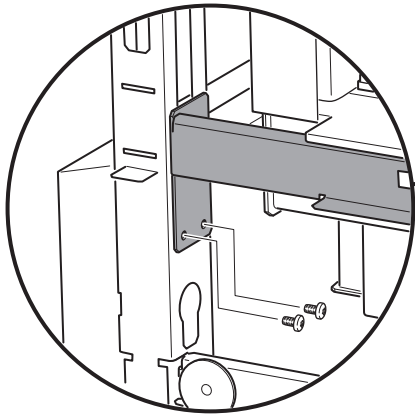
Without Shelf / Bench

With Shelf

With Bench

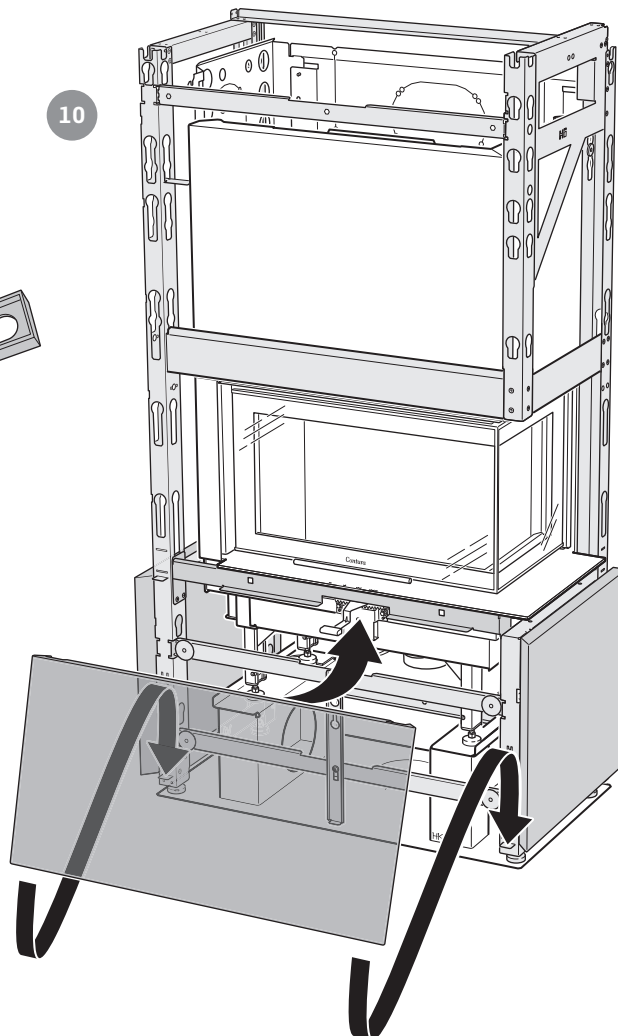
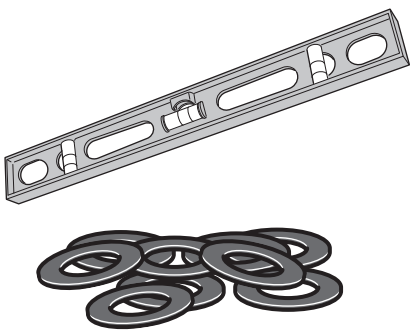


9

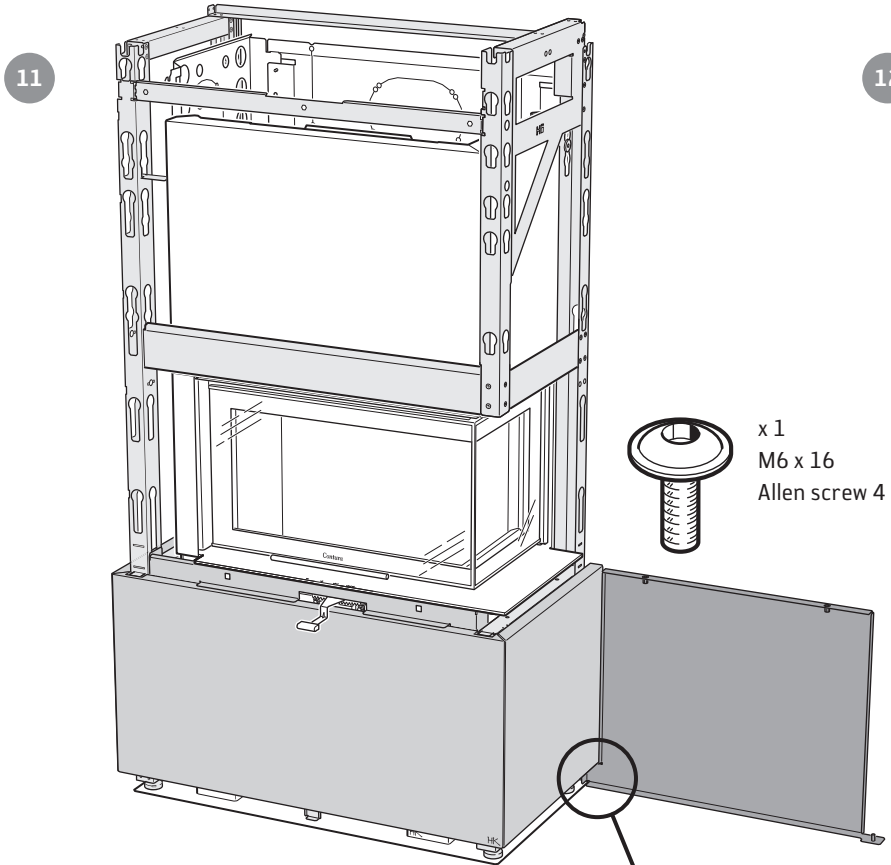


x 4  
M6 x 16  
Allen 10

10





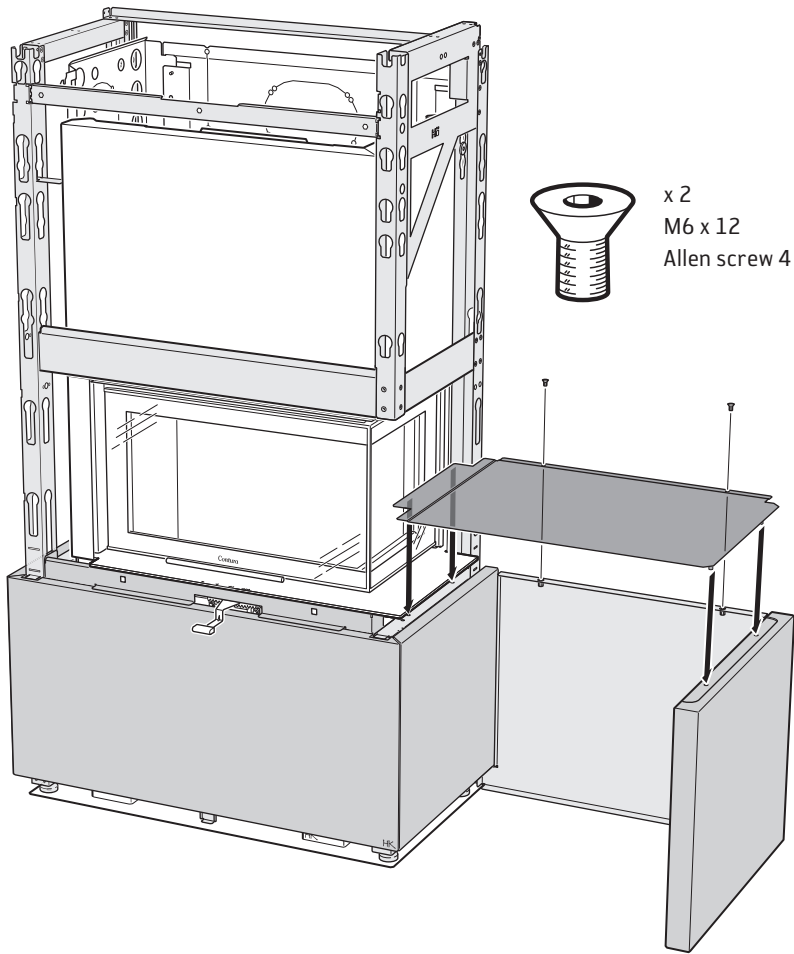


Without Shelf / Bench

With Shelf

With Bench

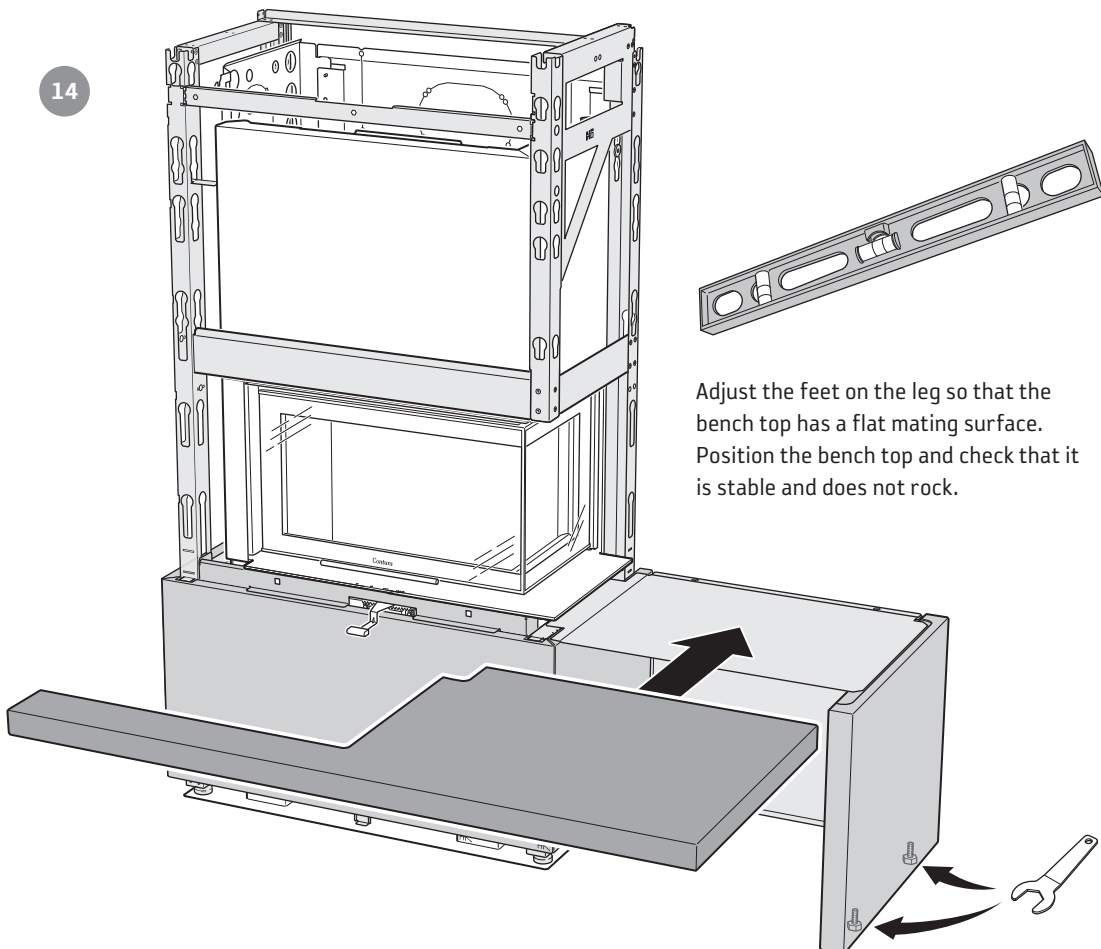
13



Without Shelf / Bench

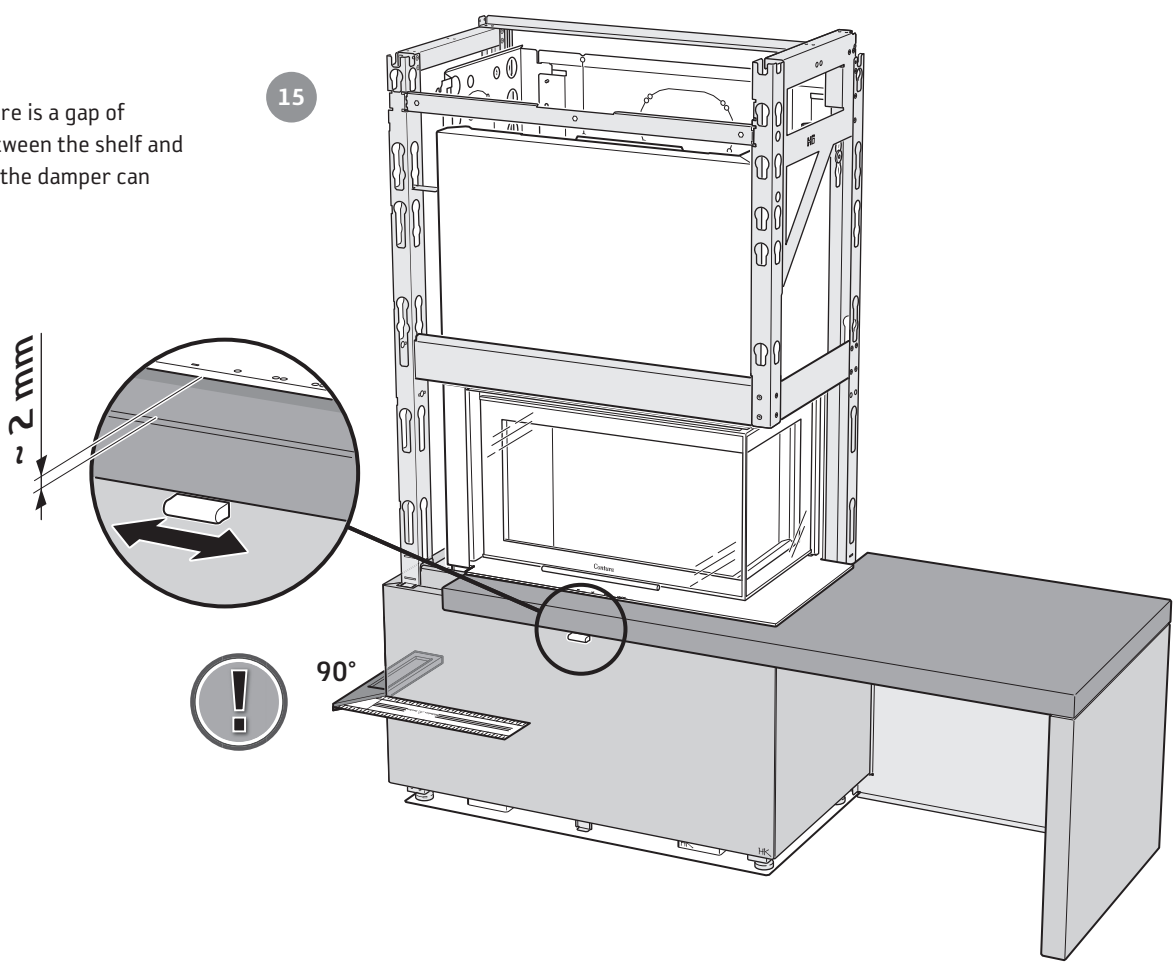
With Shelf

14

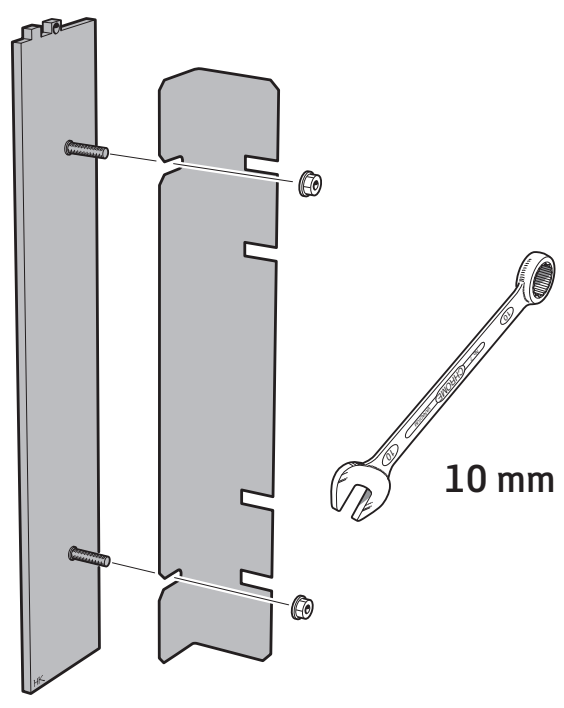


With Bench

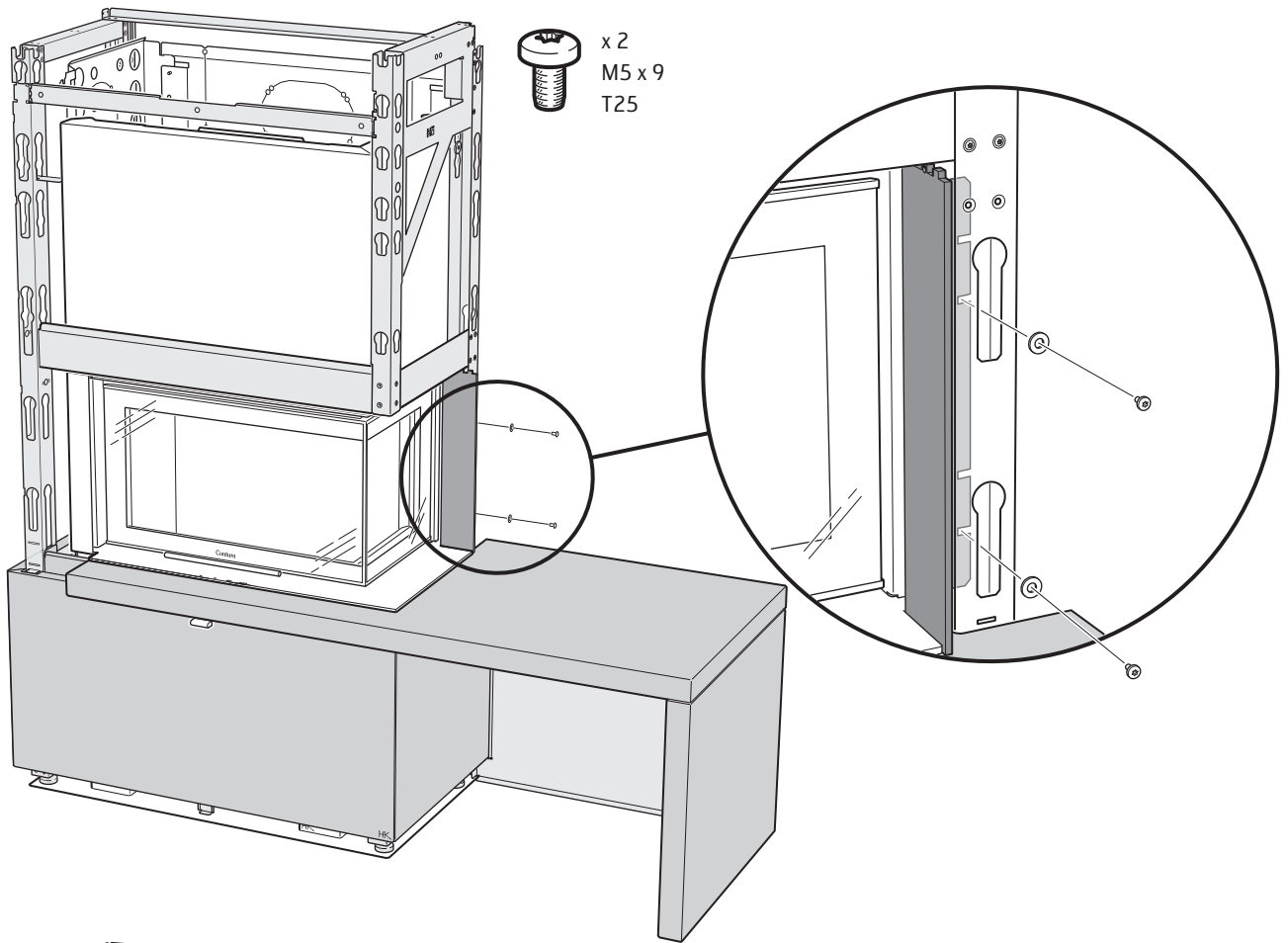
Ensure that there is a gap of about 2 mm between the shelf and insert and that the damper can move freely.



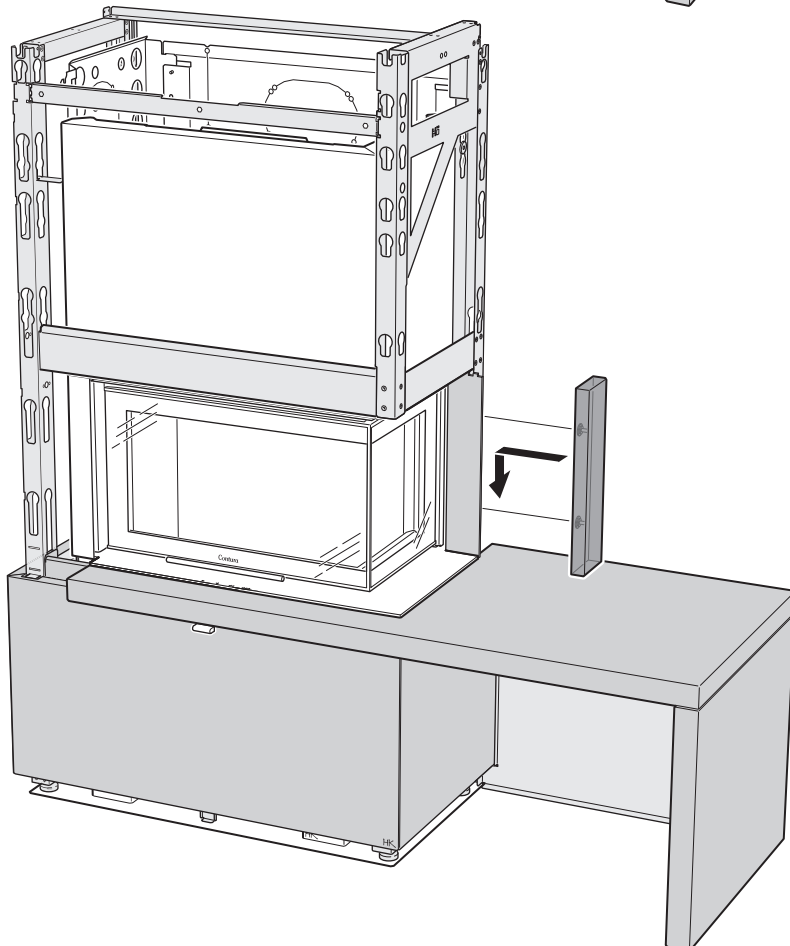
16



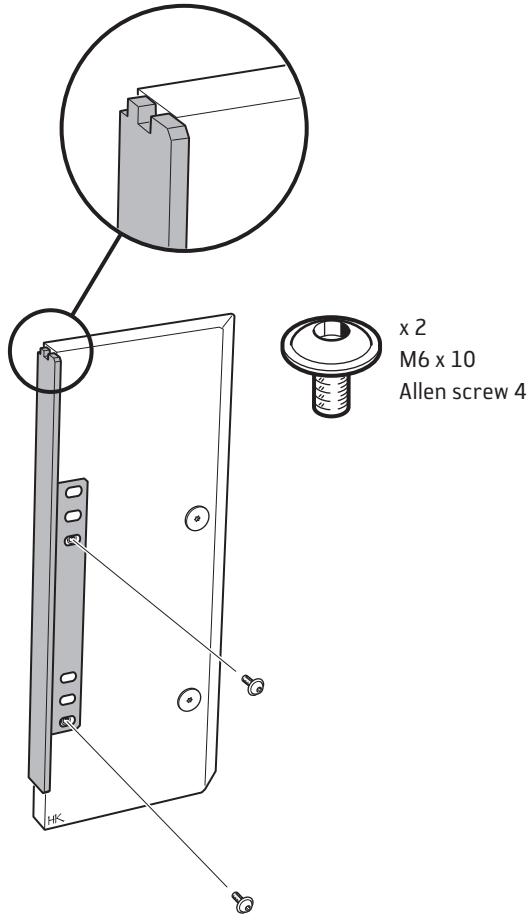
17



18

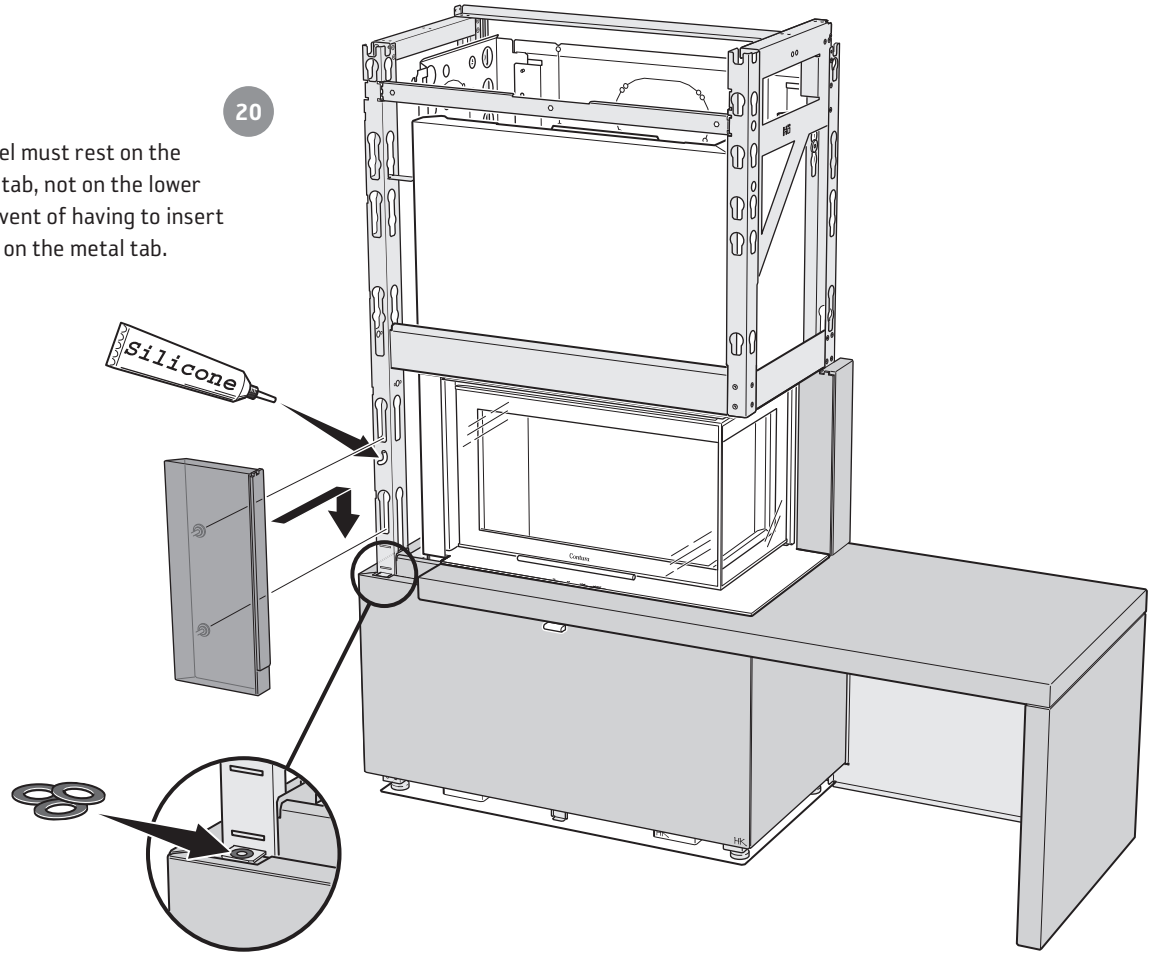


19



20

The front panel must rest on the stand's metal tab, not on the lower front. In the event of having to insert shims, do this on the metal tab.

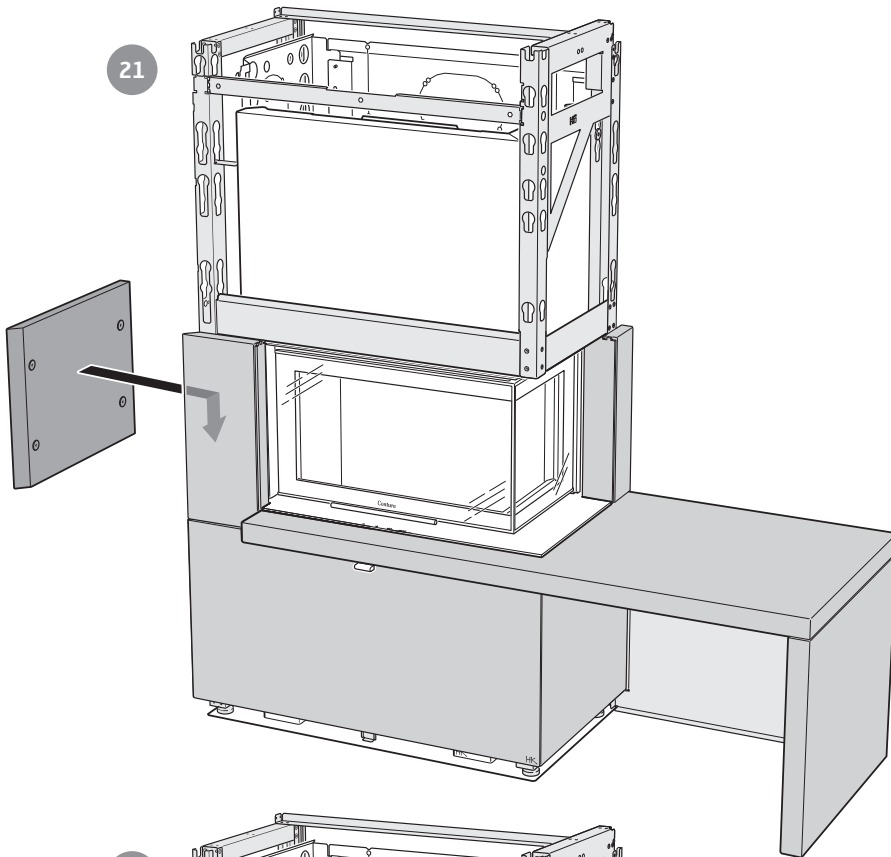


Without Shelf / Bench

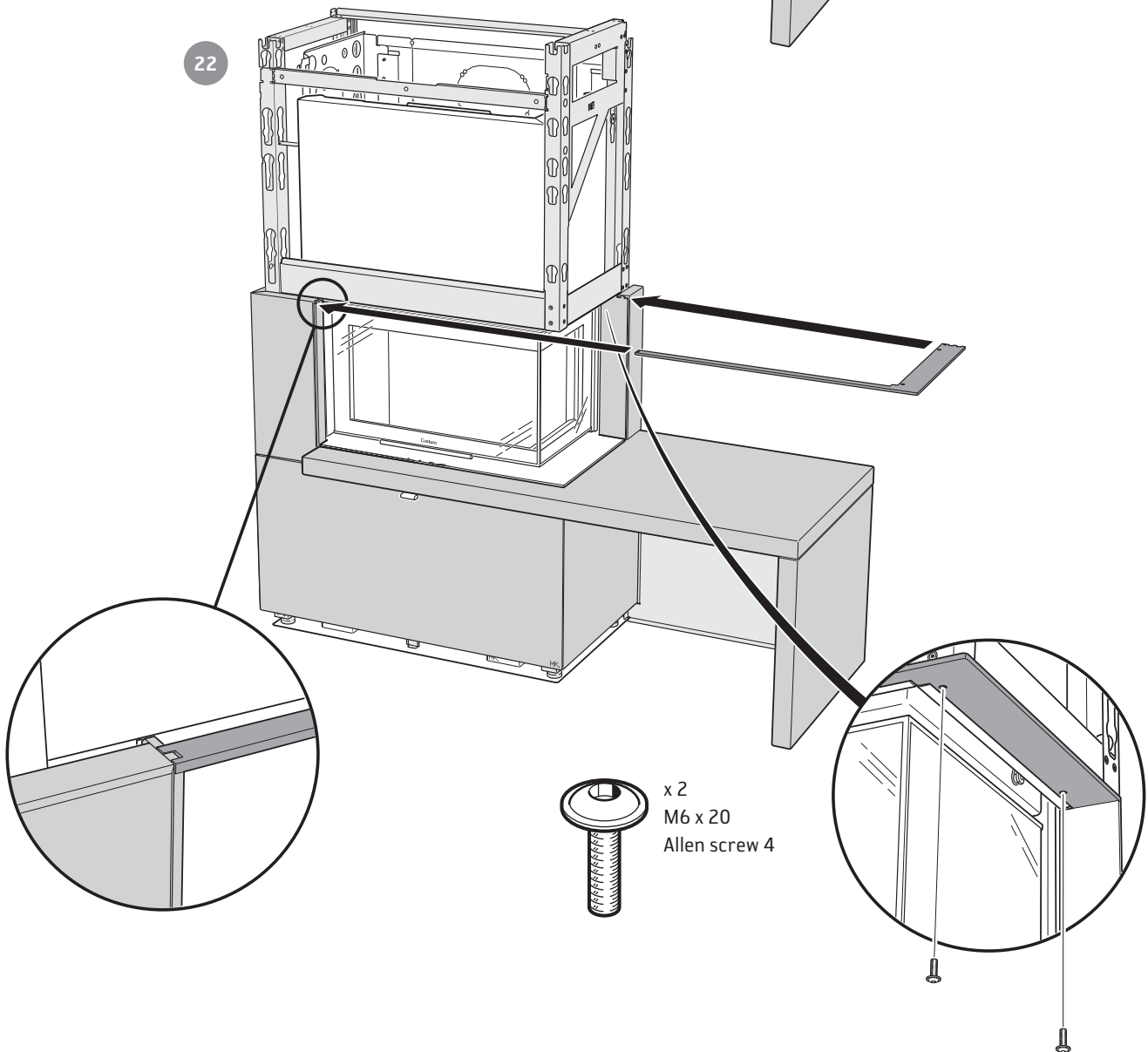
With Shelf

With Bench

21



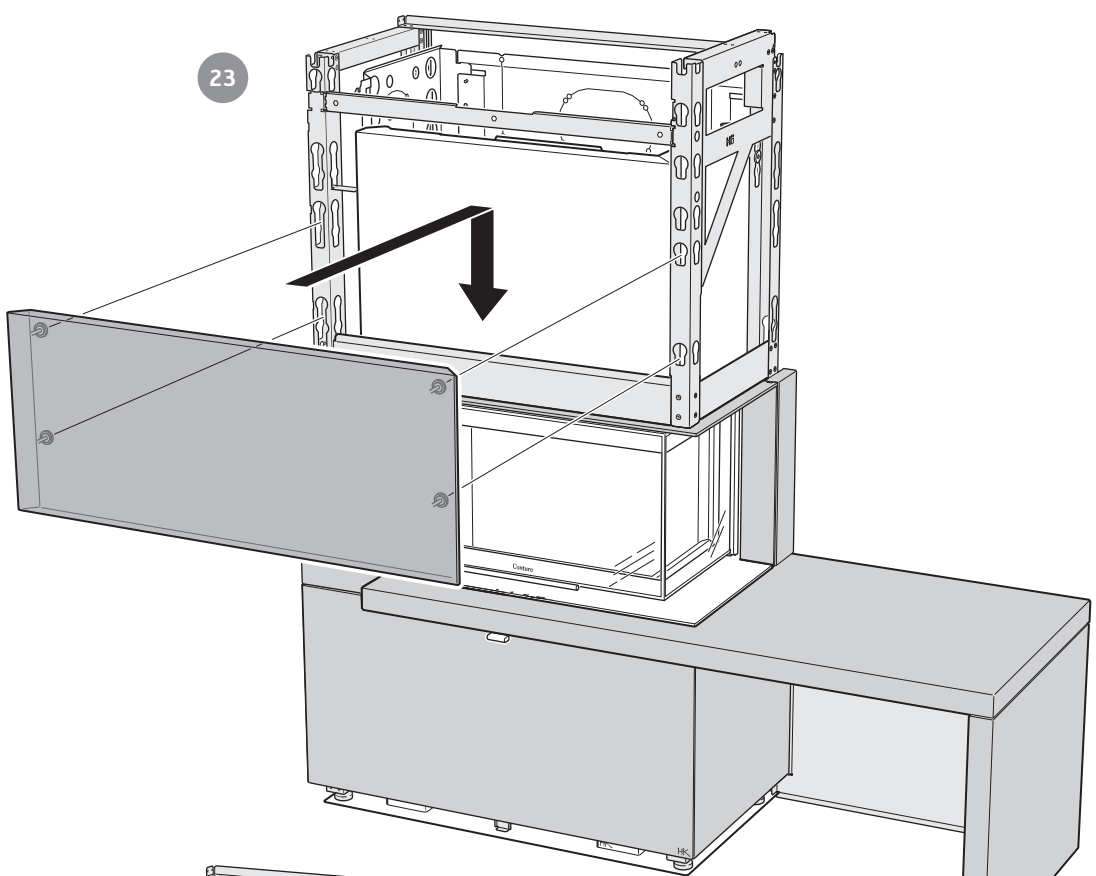
22



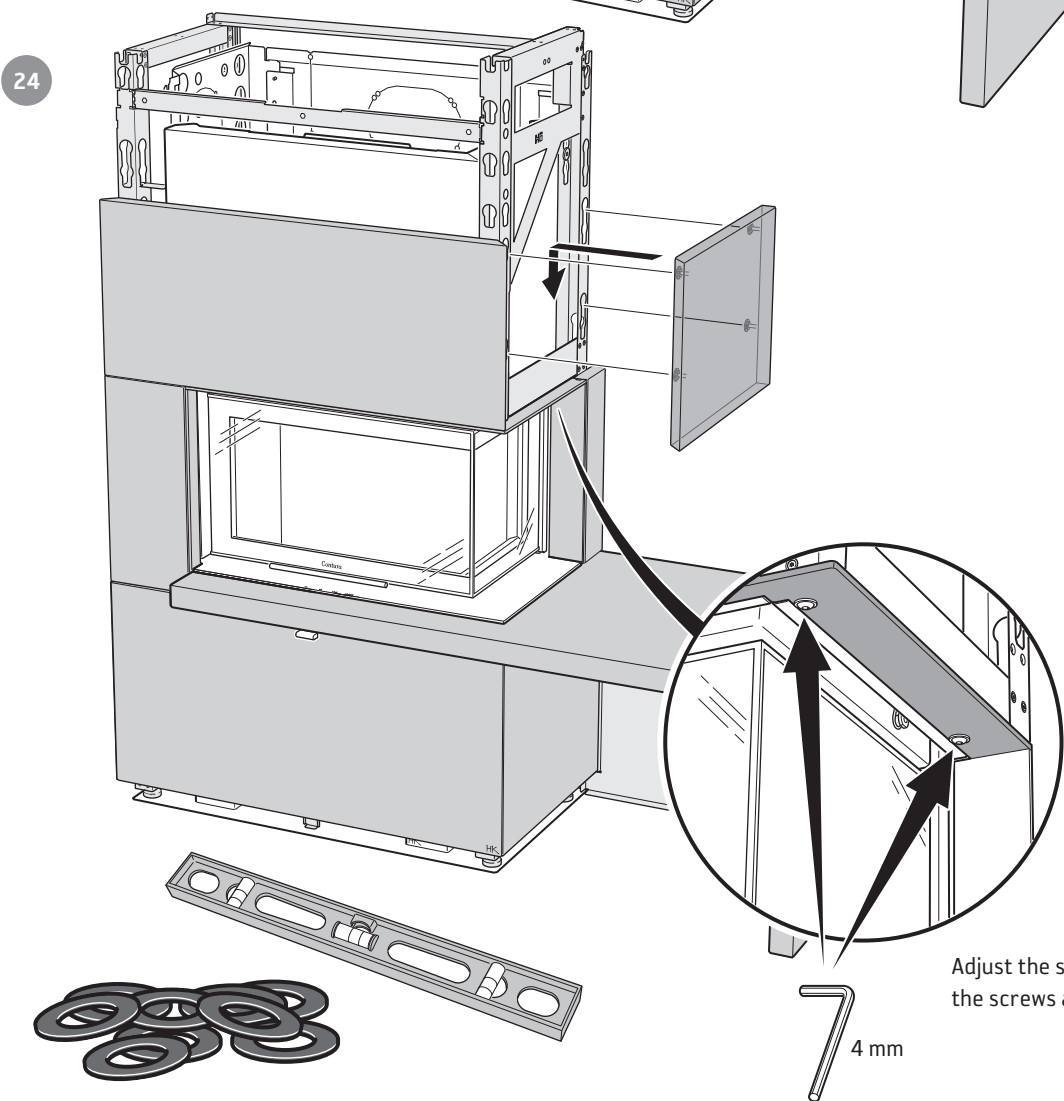
Without Shelf / Bench

With Shelf

With Bench



23

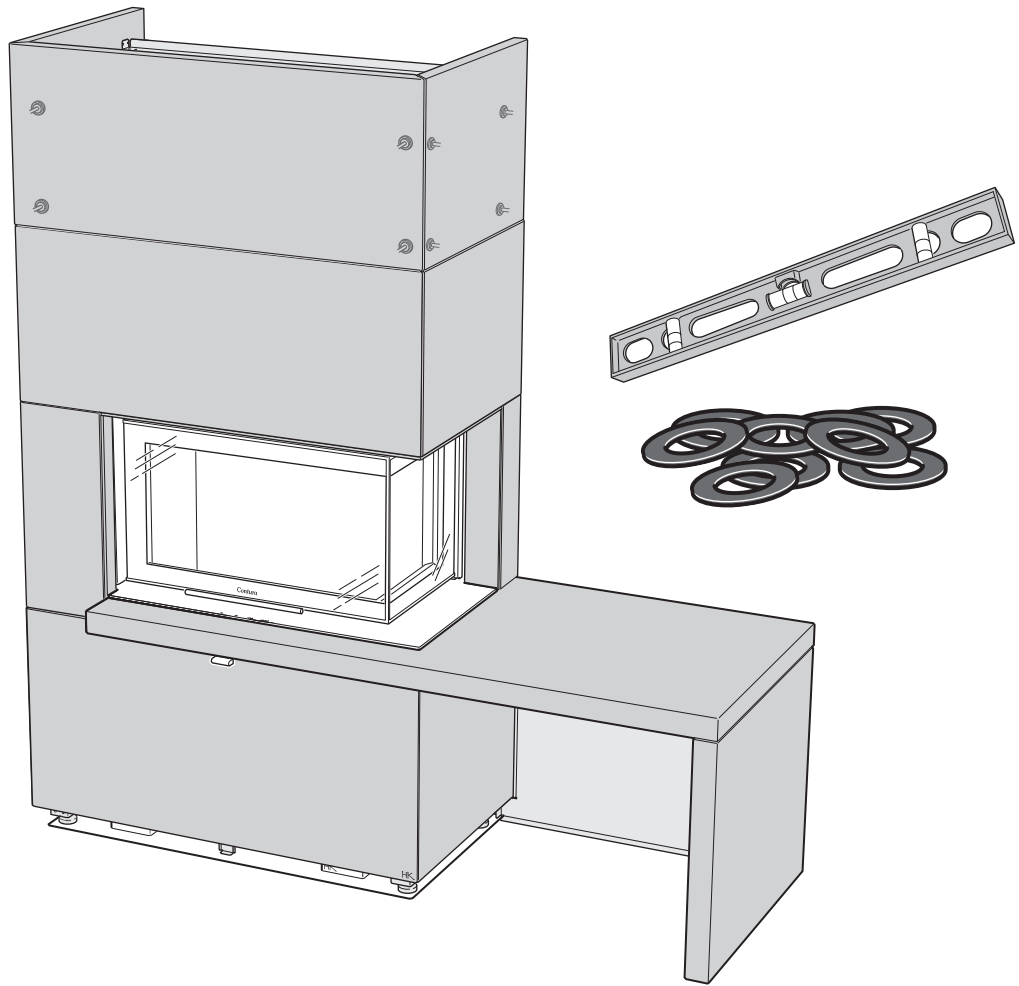


24

Adjust the stones with the screws as necessary.

4 mm

25



Without Shelf / Bench

With Shelf

With Bench

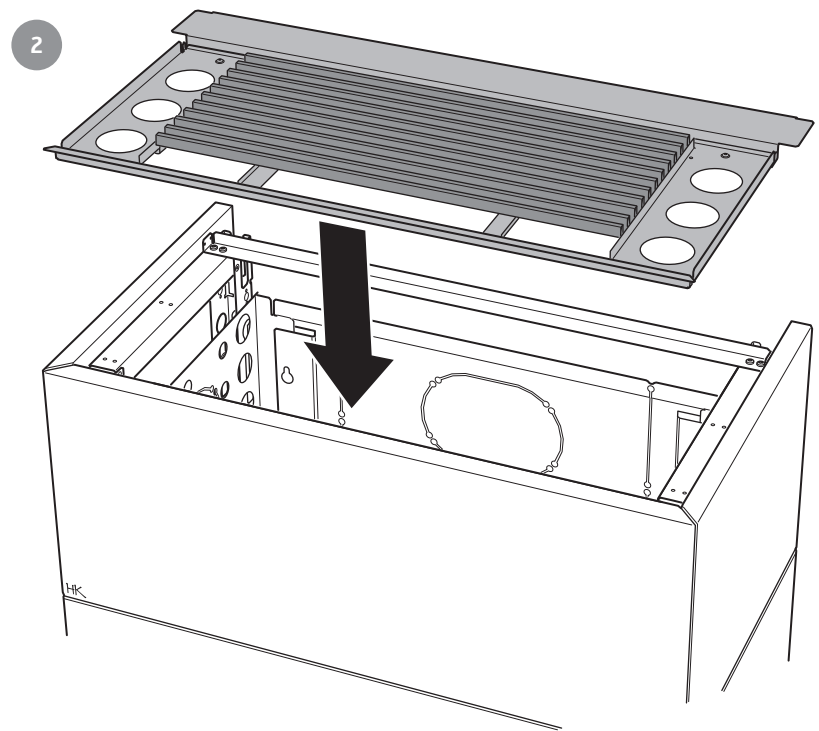
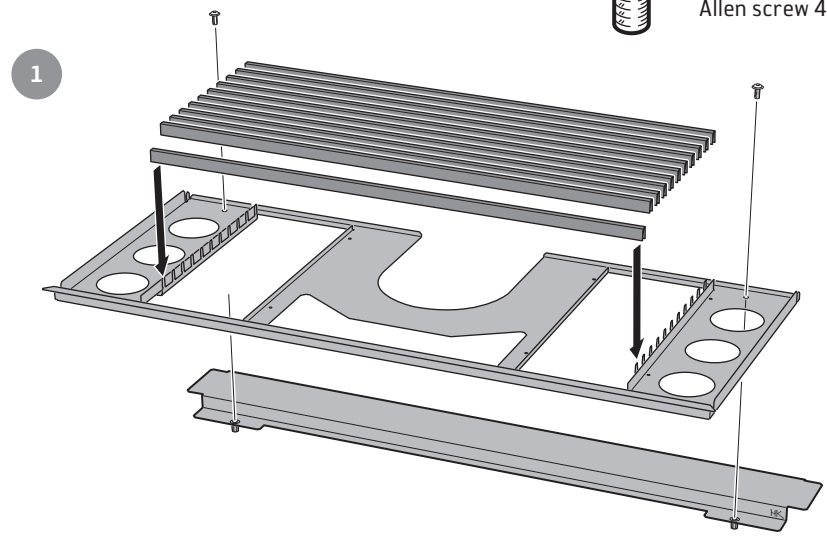
Final installation:  
See page 273

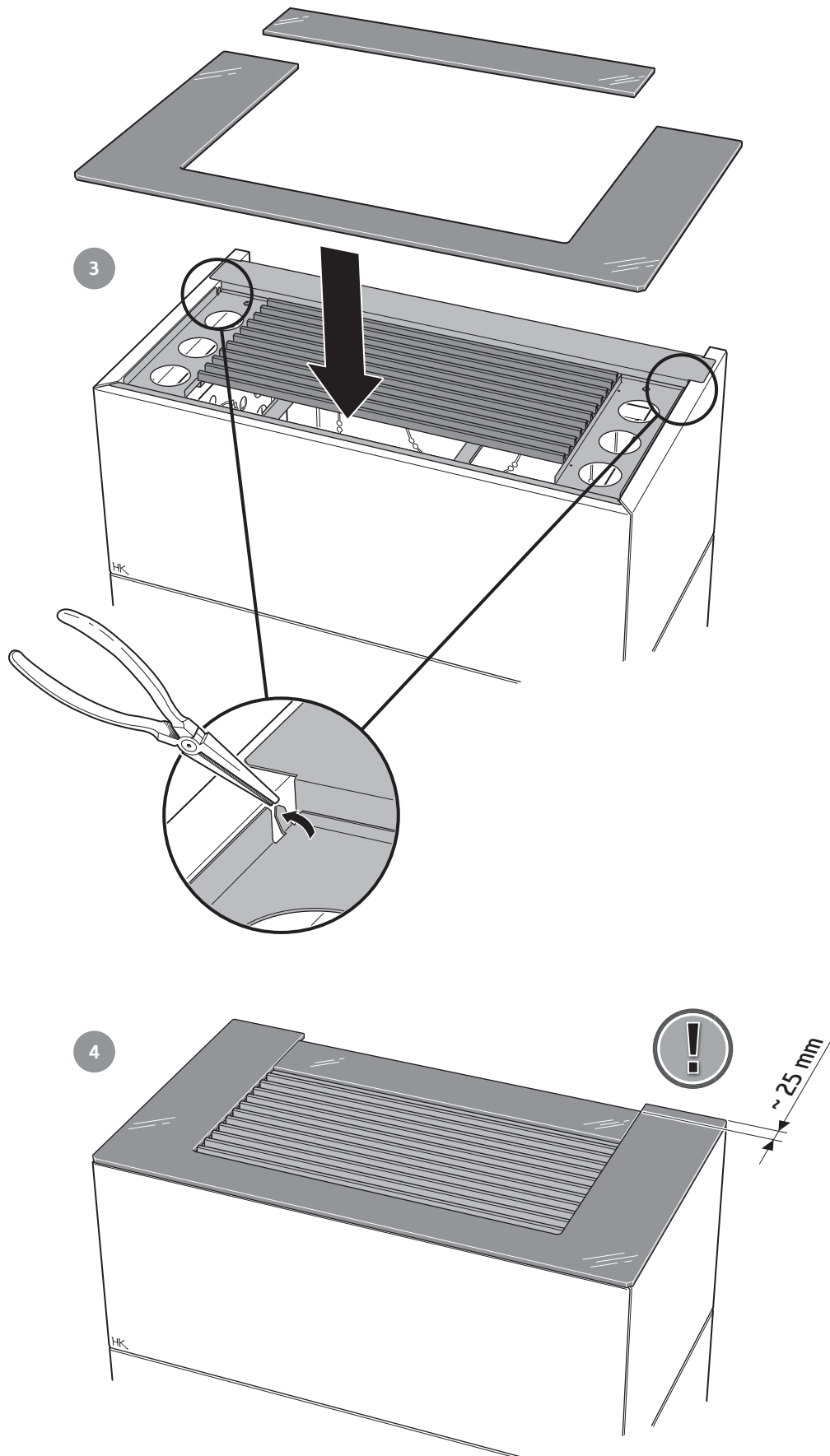


# Assembling grate and top

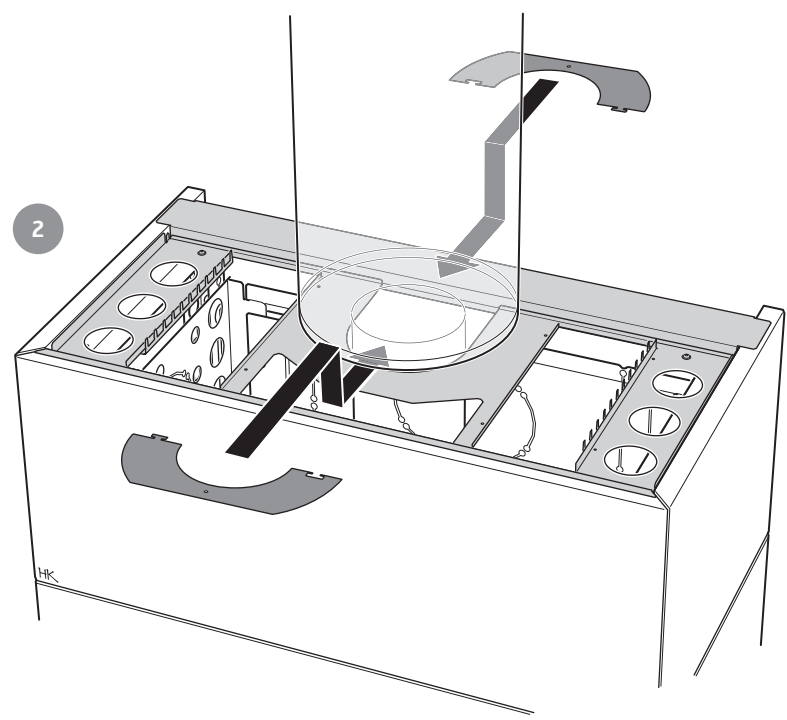
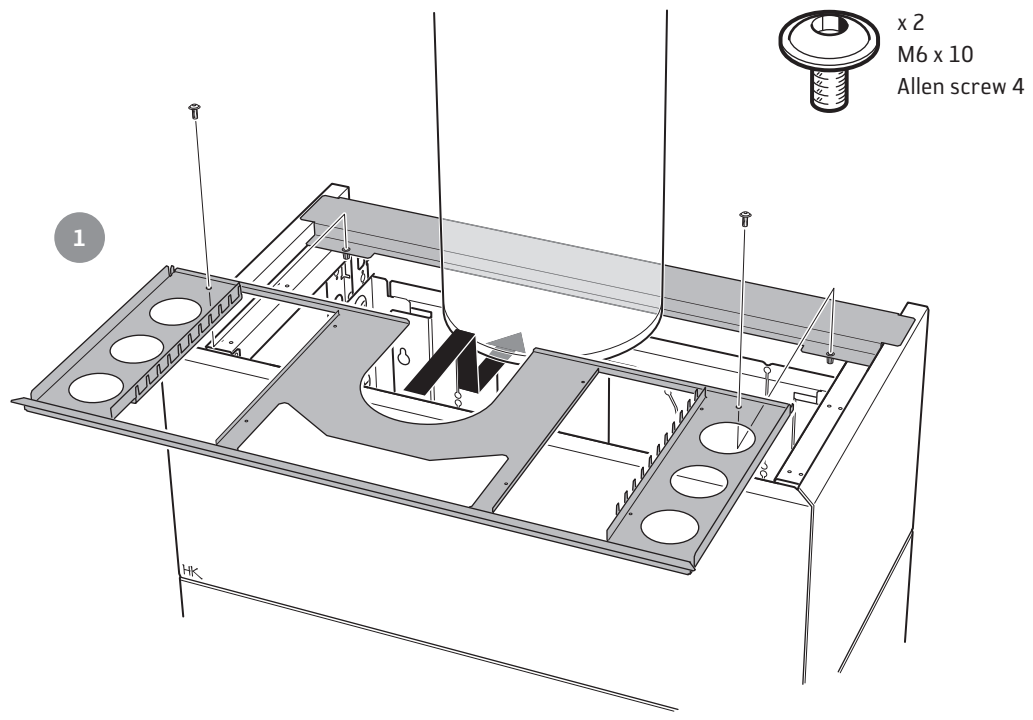
For rear connection

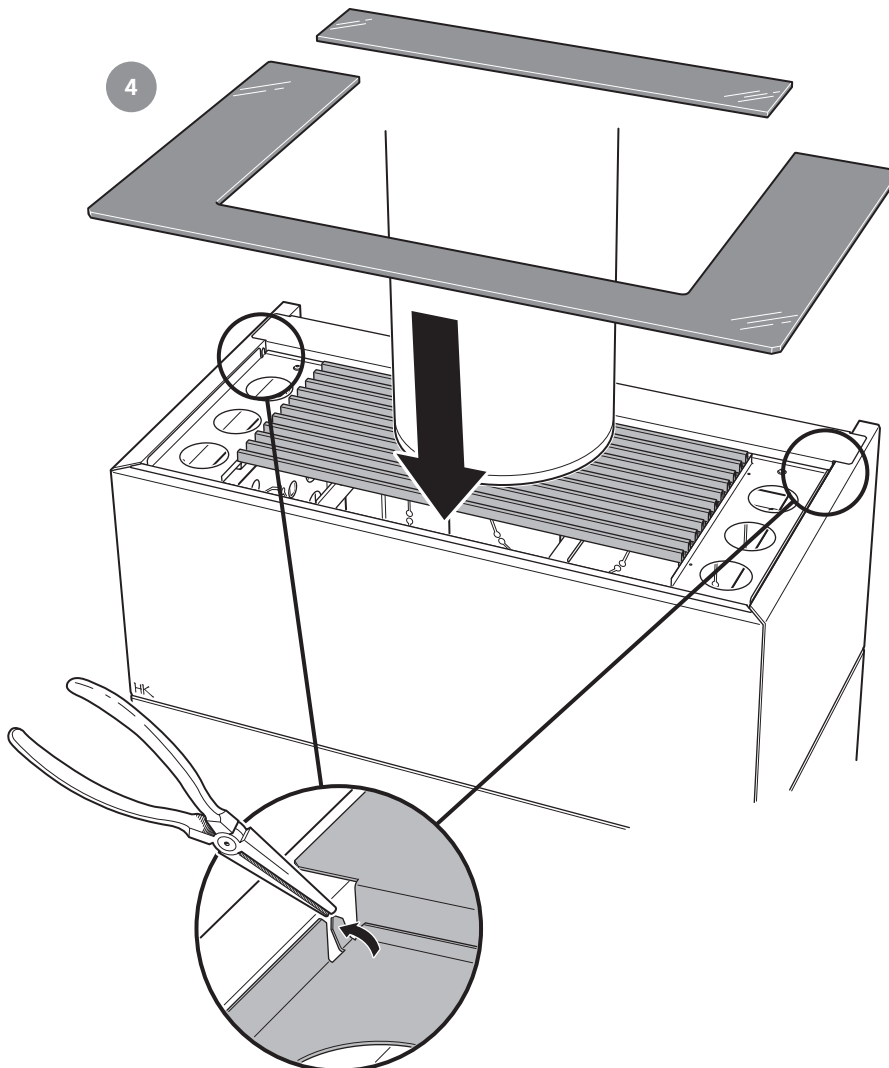
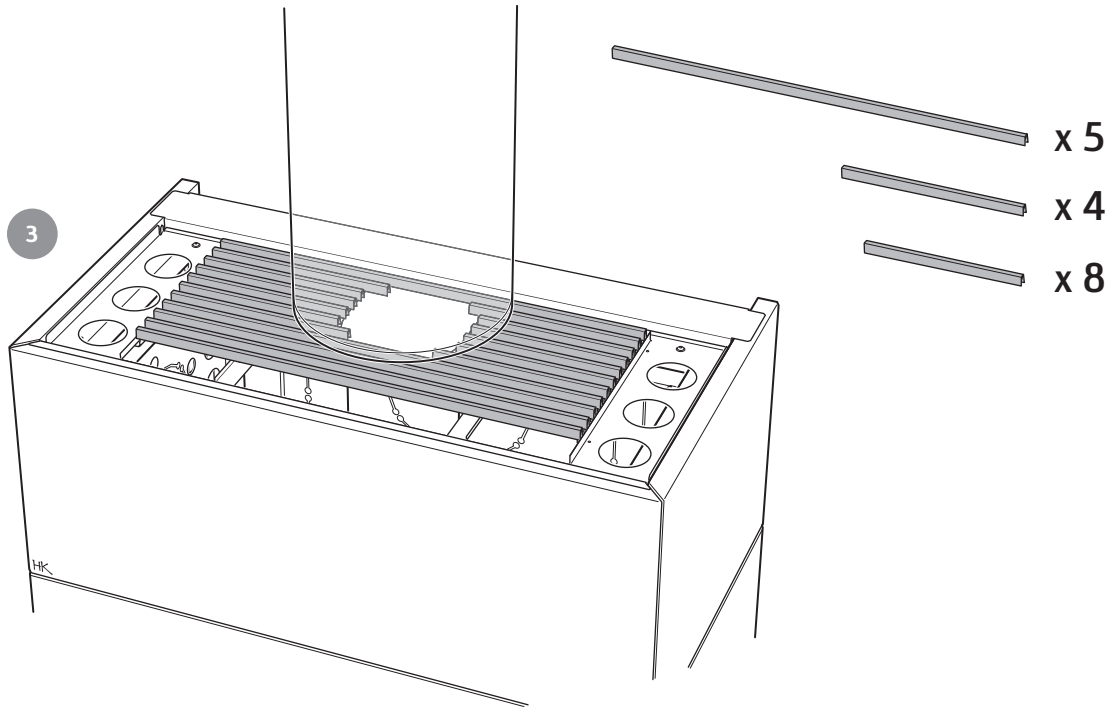
x 2  
M6 x 10  
Allen screw 4

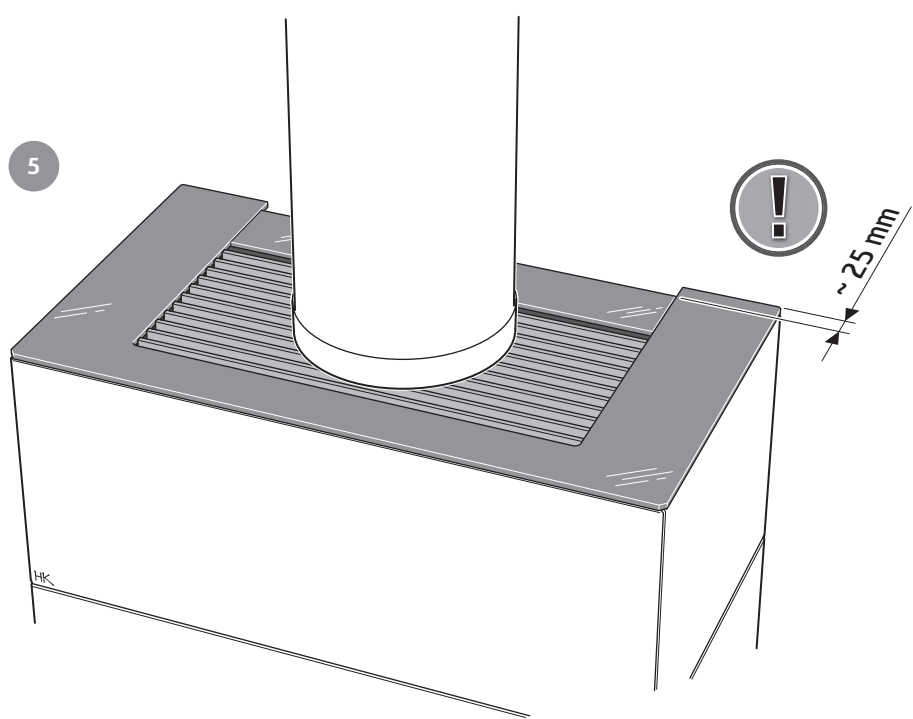




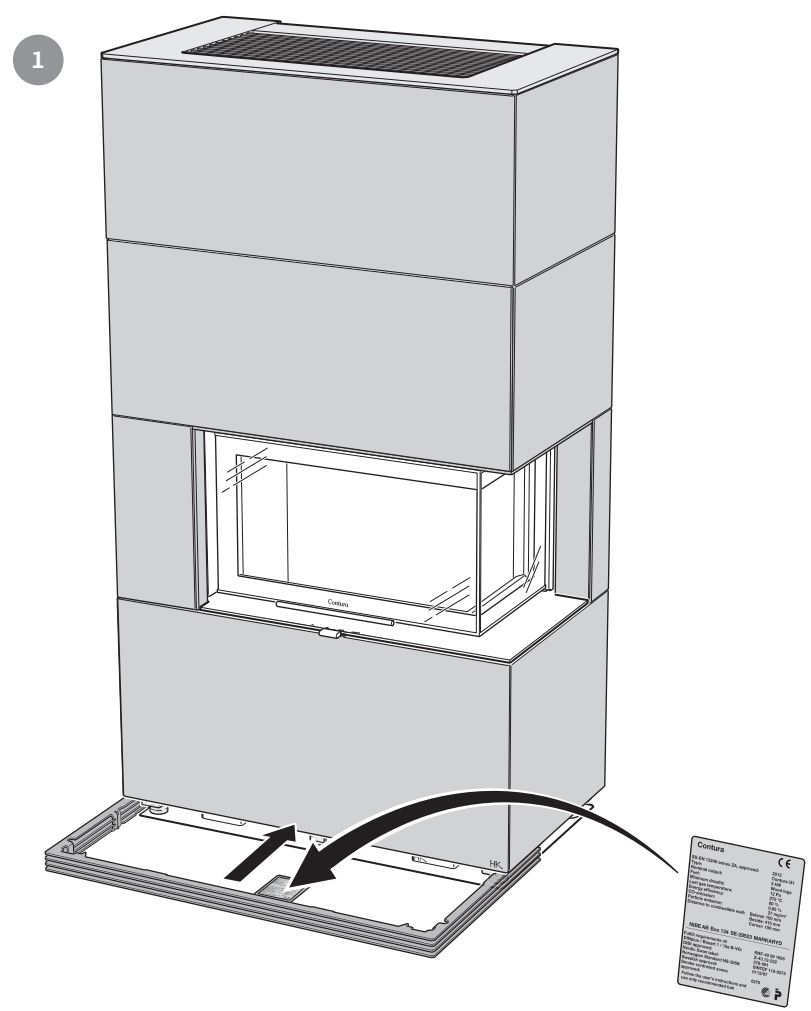
For top connection

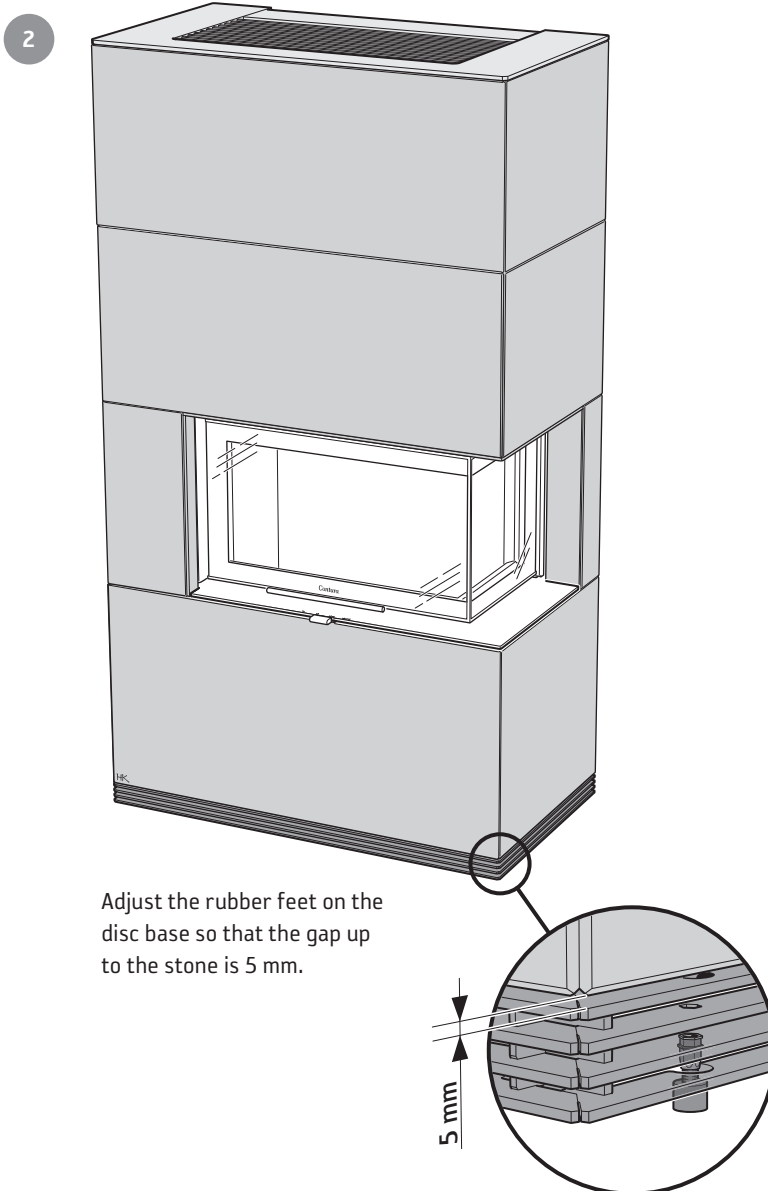






Disc base





### Final inspection of the installation

It is extremely important that the installation is inspected by an authorised inspection body before the stove is used. Also read the "Lighting instructions" before lighting for the first time.





# *Contura*

NIBE AB · Box 134 · SE-285 23 ? Markaryd · Sweden  
[contura.eu](http://contura.eu)

Contura reserves the right to change dimensions and procedures described in these instructions at any time without special notice. The current edition can be downloaded from [www.contura.eu](http://www.contura.eu)

811206 IAV SE-EX Ci41-16  
2021-11-23